

# *Mini Hi-Fi Component System*

---

Operating Instructions



*MHC-DX8*

## WARNING

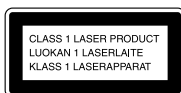
To prevent fire or shock hazard, do not expose the unit to rain or moisture.

To avoid electrical shock, do not open the cabinet. Refer servicing to qualified personnel only.

Do not install the appliance in a confined space, such as a bookcase or built-in cabinet.

## Caution


Be sure to make all connections to the main unit before you connect the main unit's power cord to a wall outlet.



This appliance is classified as a CLASS 1 LASER product. The CLASS 1 LASER PRODUCT MARKING is located on the rear exterior.

This stereo system is equipped with the Dolby B-type noise reduction system\*.

\* Manufactured under license from Dolby Laboratories Licensing Corporation.

DOLBY and the double-D symbol  are trademarks of Dolby Laboratories Licensing Corporation.

The MHC-DX8 consists of the following components:

- Tuner/CD player/Stereo cassette deck/  
Amplifier (main unit) HCD-DX8
- Satellite Amplifier TA-DX8
- Speaker system
  - Front speaker SS-DX8/  
SS-DX8B
  - Satellite speaker SS-RS158/  
SS-RS158B

---

# Table of Contents

---

## Getting Started

Step 1: Hooking up the system .....	4
Step 2: Setting up the speakers .....	7
Step 3: Setting the time .....	8
Step 4: Presetting radio stations .....	9

## Basic Operations

Playing a CD .....	11
Recording a CD .....	13
Listening to the radio .....	14
Recording from the radio .....	15
Playing a tape .....	16
Recording from a tape .....	18

## The CD Player

Using the CD display .....	19
Playing the CD tracks repeatedly .....	20
Playing the CD tracks in random order .....	21
Programming the CD tracks .....	22

## The Tape Deck

Recording on a tape manually .....	24
Recording a CD by specifying track order .....	25

## DJ Effects

Looping part of a CD .....	27
Flashing part of a CD .....	27

## Sound Adjustment

Adjusting the sound .....	28
Selecting the audio emphasis .....	29
Changing the spectrum analyzer display .....	30
Selecting the surround effect .....	30
Adjusting the graphic equalizer .....	31

## Other Features

Singing along: Karaoke .....	32
Falling asleep to music .....	33
Waking up to music .....	34
Timer-recording radio programs .....	35

## Optional Components

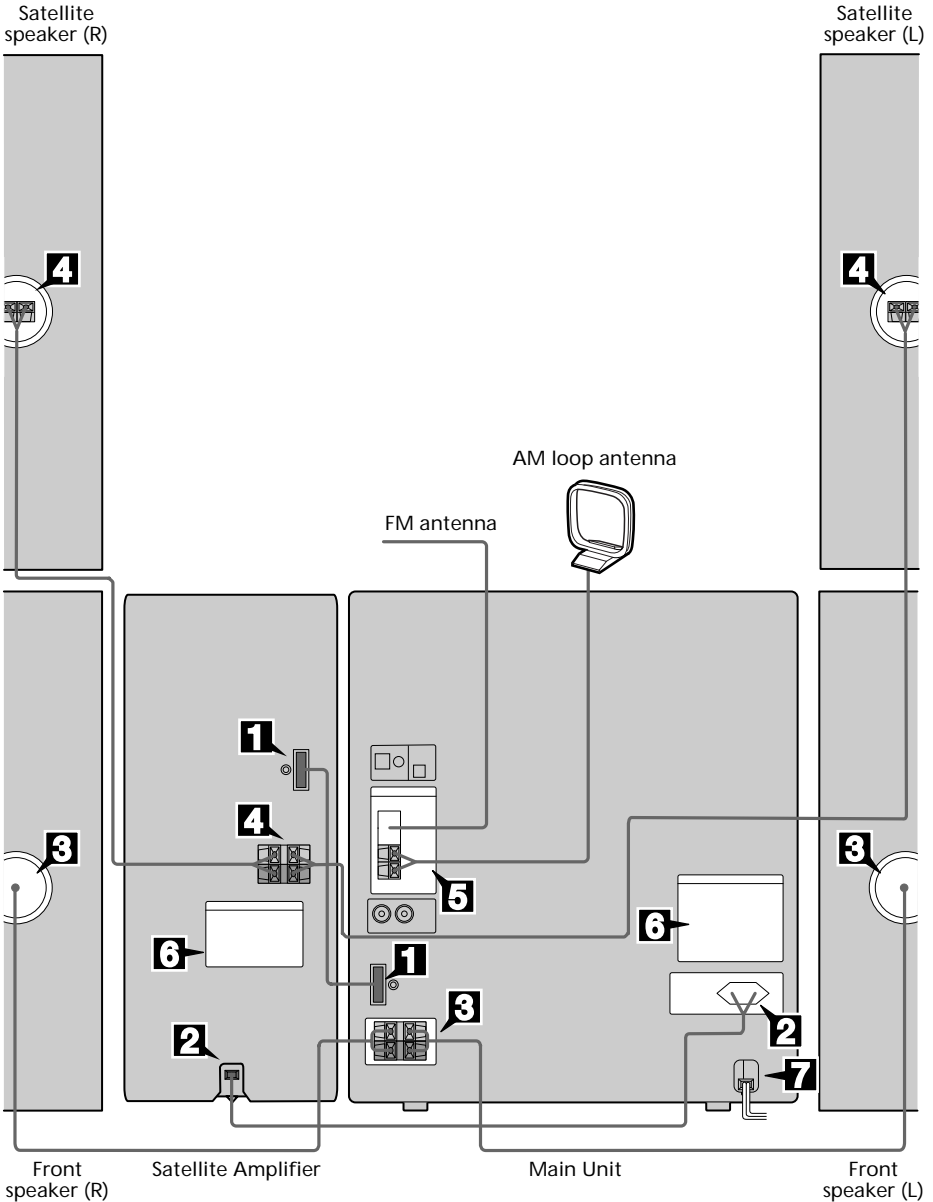
Connecting audio components .....	37
Connecting a VCR .....	38
Connecting external antennas .....	39

## Additional Information

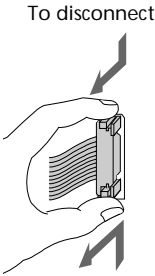
Precautions .....	40
Troubleshooting .....	41
Specifications .....	44
Index .....	Back Cover

## Step 1: Hooking up the system

Do the following procedure **1** to **7** to hook up your system using the supplied cords and accessories.

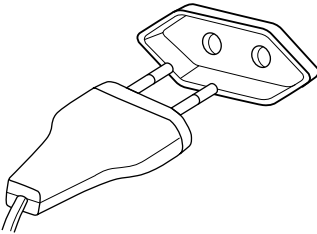


- 1** Connect the flat cord to the SYSTEM CONTROL connectors until it clicks.

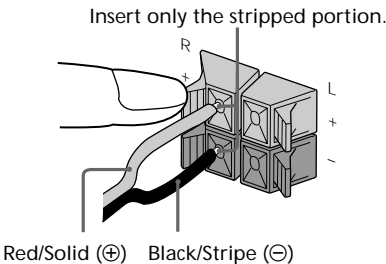


- 2** Connect the power cord of satellite amplifier to the AC OUTLET of the main unit.

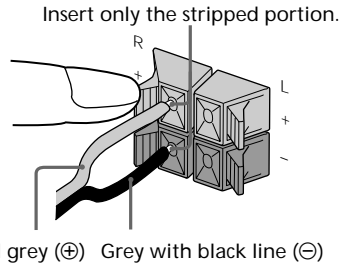
Be sure to make this connection before you connect the main unit's power cord to a wall outlet.



- 3** Connect the front speakers. Connect the speaker cords of front speakers to the SPEAKER jacks of main unit.



- 4** Connect the satellite speakers. Connect the satellite speaker cords to the SPEAKER jacks of the satellite amplifier.

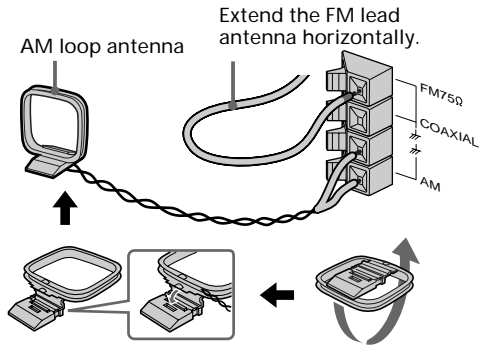


**Note**

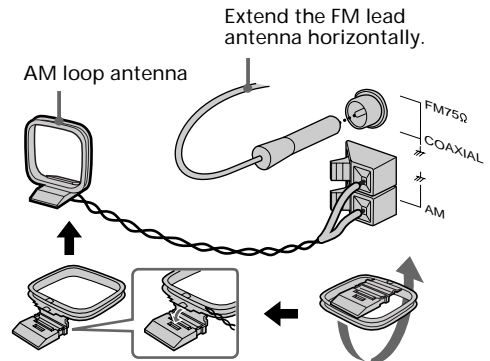
Keep the speaker cords away from the antennas to prevent noise.

- 5** Connect the FM/AM antennas. Set up the AM loop antenna, then connect it.

**Jack type ①**



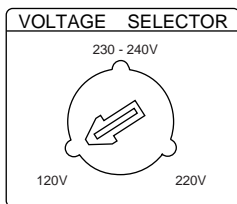
**Jack type ②**



## Step 1: Hooking up the system (continued)

- 6** Set **VOLTAGE SELECTOR** to the position of your local power line voltage.

Set the same voltage range for the satellite amplifier and main unit.



- 7** Connect the power cord to a wall outlet.

The demonstration appears in the display. When you press I/⏻, the system turns on and the demonstration automatically ends.

If the supplied adaptor on the plug does not fit your wall outlet, detach it from the plug (only for the model equipped with an adaptor).

### To disconnect the system

Make sure you disconnect the AC power cord from the wall outlet before you disconnect the system.

### To connect optional components

See page 37.

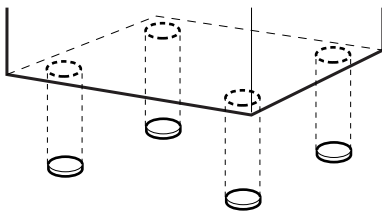
### To deactivate the demonstration

When you set the time (see "Step 3: Setting the time"), the demonstration is deactivated.

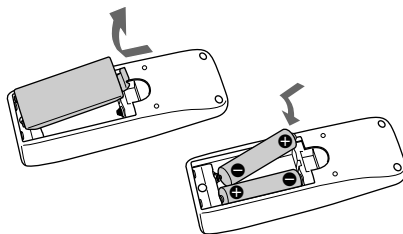
To activate/deactivate the demonstration again, press **DISPLAY** while the system is off.

### To attach the front and satellite speaker pads

Attach the supplied front and satellite speaker pads to the bottom of the speakers to stabilize the speakers and prevent them from slipping.



### Inserting two size AA (R6) batteries into the remote



### Tip

With normal use, the batteries should last for about six months. When the remote no longer operates the system, replace both batteries with new ones.

### Note

If you do not use the remote for a long period of time, remove the batteries to avoid possible damage from battery leakage.

### When carrying this system

Do the following to protect the CD mechanism.

- 1 Make sure that all discs are removed from the unit.
- 2 Hold down **CD** and then press I/⏻ so that "LOCK" appears in the display.
- 3 Unplug the AC power cord.

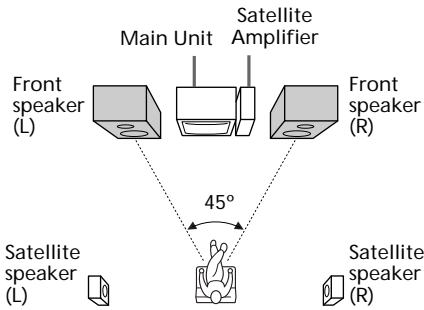
## Step 2: Setting up the speakers

Connecting the supplied satellite speakers enables you to fully enjoy the sound system.

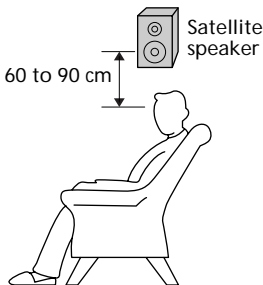
### Positioning the speakers

Before you connect them, determine the best location for your speakers.

- 1 Place the front speakers at an angle of 45 degrees from your listening position.

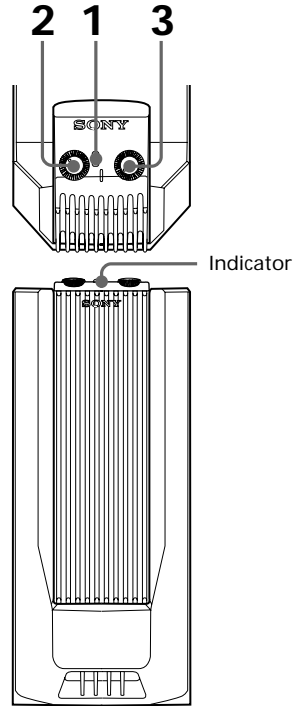


- 2 Place the satellite speakers facing each other at about 60 to 90 cm above your listening position.



## Selecting the sound system

You can enjoy different sound modes by selecting the sound mode you want using the satellite mode function.



- 1 Set the satellite amplifier to ON to activate the satellite speakers system.

- 2 Turn SATELLITE MODE to select the sound mode you want.

**LINK:** Reproduces the same sound with the different output level.

**HI-CUT:** Reproduces the low bass frequencies sound.

**SURROUND:** Reproduces a wide range of sound that actually can sense the size of the room.

continued

## Step 2: Setting up the speakers (continued)

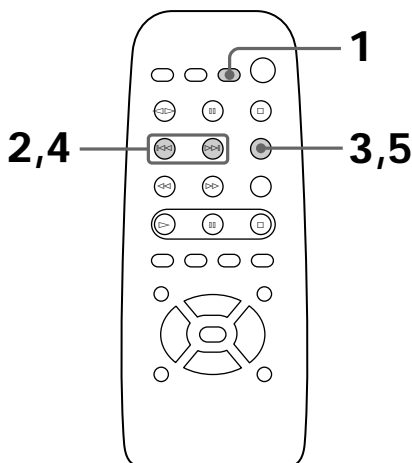
- Turn SATELLITE LEVEL to adjust the satellite speakers volume.

### Notes

- If you turn VOLUME (or press VOL +/- on the remote) all the speaker volumes change.
- If you set the satellite amplifier to OFF, no sound will come out from the satellite speakers.
- The indicator on the satellite amplifier will light green when the main unit is powered on and will light red when the main unit is on standby mode.

## Step 3: Setting the time

You must set the time before using the timer functions.



- Press CLOCK/TIMER SET.

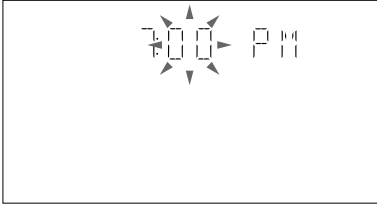
The hour indication flashes.



- Press ◀◀ or ▶▶ repeatedly to set the hour.



- 
- 3** Press ENTER.  
The minute indication flashes.



- 
- 4** Press ◀◀ or ▶▶ repeatedly to set the minute.

- 
- 5** Press ENTER.  
The clock starts working.
- 

**Tip**  
If you've made a mistake, start over from step 1.

### To change the time

The previous explanation shows you how to set the time while the power is off. To change the time while the power is on, do the following:

- 1 Press CLOCK/TIMER SET.
- 2 Press ◀◀ or ▶▶ repeatedly to select SET CLOCK.
- 3 Press ENTER.
- 4 Perform steps 2 through 5 above.

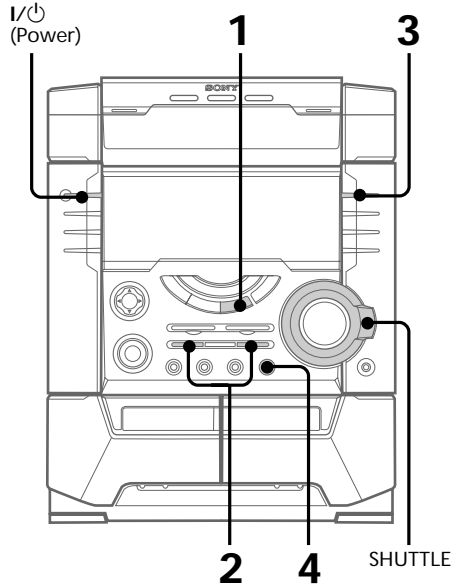
### Note

The clock settings are canceled when you disconnect the power cord or if a power failure occurs.

---

## Step 4: Presetting radio stations

You can preset 20 stations for FM and 10 stations for AM.

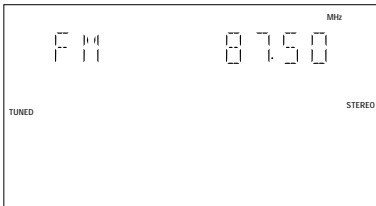


- 
- 1** Press TUNER/BAND repeatedly until the band you want appears in the display.  
Every time you press this button, the band changes as follows:  
FM ↔ AM

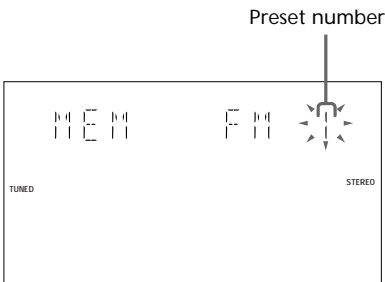
continued

## Step 4: Presetting radio stations (continued)

- Press and hold + or - (or TUNING +/- on the remote) until the frequency indication starts to change, then release. Scanning stops when the system tunes in a station. "TUNED" and "STEREO" (for a stereo program) appear.



- Press TUNER MEMORY. A preset number appears in the display. The stations are stored from preset number 1.



- Press ENTER. "COMPLETE" appears in the display. The station is stored.
- Repeat steps 1 to 4 to store other stations.

## To tune in a station with a weak signal

Press + or - (TUNING +/- on the remote) repeatedly to tune in the station manually.

## To set another station to the existing preset number

Start over from step 1. After step 3, turn SHUTTLE until it clicks to select the preset number you want to store the other station.

You can add a new preset number after the last preset number.

## To erase the preset station

- Hold down TUNER MEMORY until a preset number appears in the display.



- Turn SHUTTLE until it clicks to select the preset number you want to erase. Select "ALL ERASE" when you want to erase all the preset stations.
- Press ENTER. "COMPLETE" appears.

When you erase a preset number, the preset number decreases by one and all preset numbers following the erased one are renumbered.

## To change the AM tuning interval (Except for the Middle Eastern models)

The AM tuning interval is factory set to 9 kHz (10 kHz in some areas). To change the AM tuning interval, tune in any AM station first, then turn off the power. While holding down the ENTER button, turn the power back on. When you change the interval, AM preset stations will be erased. To reset the interval, repeat the same procedure.

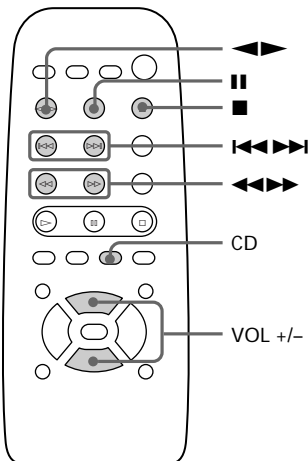
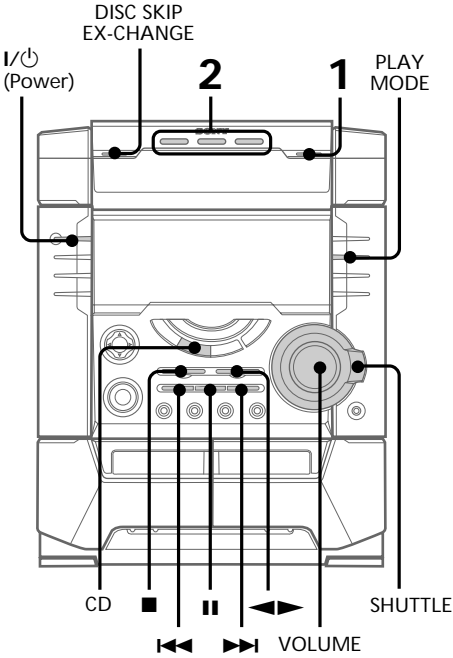
## Tip

The preset stations are retained for half a day even if you unplug the power cord or if a power failure occurs.

## Playing a CD

— Normal play

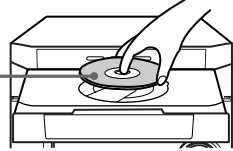
You can play up to three CDs in a row.



- 1 Press **▲** OPEN/CLOSE and place a CD on the disc tray.

If a disc is not placed properly, it will not be recognized.

With the label side up. When you play a CD single, place it on the inner circle of the tray.



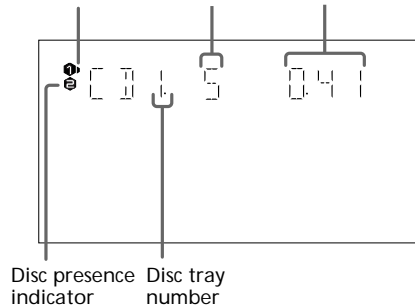
To insert additional discs, press DISC SKIP EX-CHANGE to rotate the disc tray.

- 2 Press one of the DISC 1~3 buttons.

The disc tray closes and play starts.

If you press **◀▶** when CD is selected as the function and the disc tray is closed, play starts from the CD loaded on the tray whose disc pointer indicator is lit.

Disc pointer indicator    Track number    Playing time



continued

## Playing a CD (continued)

To	Do this
Stop play	Press ■.
Pause	Press ■■. Press again to resume play.
Select a track	During play or pause, press ►►1 (to go forward) or 1◄◄ (to go back).
Find a point in a track	Turn SHUTTLE clockwise (to go forward) or counterclockwise (to go back) until it clicks and hold. Release it when you reach the desired point (or press and hold down ►► or ◄◄ on the remote).
Select a CD in stop mode	Press a DISC 1~3 button or DISC SKIP EX-CHANGE (or D, SKIP on the remote).
Play only the CD you have selected	Press PLAY MODE repeatedly until "CONTINUE 1 DISC" or "SHUFFLE 1 DISC" appears.
Play all CDs	Press PLAY MODE repeatedly until "CONTINUE ALL DISCS" or "SHUFFLE ALL DISCS" appears.
Remove the CD	Press ▲ OPEN/CLOSE.
Exchange other CDs while playing	Press DISC SKIP EX-CHANGE.
Adjust the volume	Turn VOLUME (or press VOL +/- on the remote).

## Tips

- You can switch from another source to the CD player and start playing a CD just by pressing the DISC 1~3 buttons (Automatic Source Selection).
- If there is no CD in the player, "CD NO DISC" appears in the display.
- When a disc tray holding a CD is selected (or the CD in the disc tray is playing) the disc pointer indicator lights. When a disc tray holding a CD is not selected, the disc presence indicator lights, but the disc pointer indicator does not light. When all disc trays are empty, both the disc presence indicator and disc pointer indicator light.

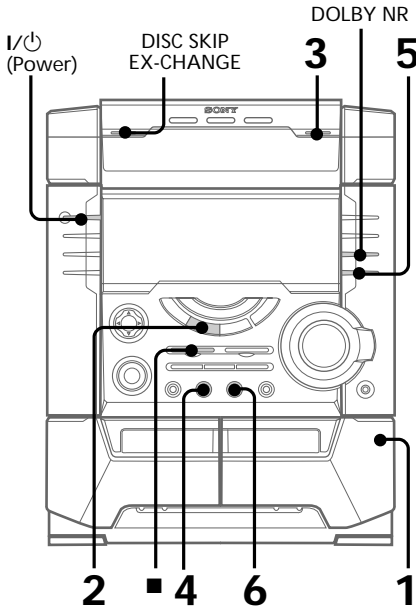
## Note

When a tray has not been detected by the unit, the disc pointer indicator may light even though there is no disc on the tray.

# Recording a CD

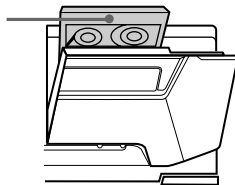
## — CD Synchro Recording

The CD SYNC HI-DUB button lets you record from a CD to a tape easily. You can use TYPE I (normal) or TYPE II (CrO<sub>2</sub>) tapes. The recording level is adjusted automatically.



- 1 Press **▲** and insert a recordable tape into deck B.

With the side you want to record facing forward



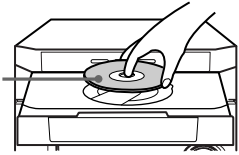
- 2 Press CD.

- 3 Press **▲** OPEN/CLOSE and place a CD.

Then, press **▲** OPEN/CLOSE again to close the disc tray.

When the CD you want to record is not selected, press DISC SKIP EX-CHANGE repeatedly to select the CD you want.

With the label side up. When you play a CD single, place it on the inner circle of the tray.



- 4 Press CD SYNC HI-DUB.

Deck B stands by for recording and the CD player stands by for playback. The REC PAUSE/START button flashes.

- 5 Press DIRECTION repeatedly to select **⇔** to record on one side. Select **↔** (or RELAY) to record on both sides.

- 6 Press REC PAUSE/START. Recording starts.

### To stop recording

Press **■**.

### Tips

- If you want to record from the reverse side, press TAPE A/B repeatedly to select deck B after step 1. Press **◀▶** to start playback of the reverse side, then press **■** where you want to start recording. TAPE B reverse side indicator lights up (see page 17).
- When you record on both sides, be sure to start from the front side. If you start from the reverse side, recording stops at the end of the reverse side.
- When you want to reduce the hiss noise in low-level high-frequency signals, press DOLBY NR so that "DOLBY NR" appears after pressing CD SYNC HI-DUB.

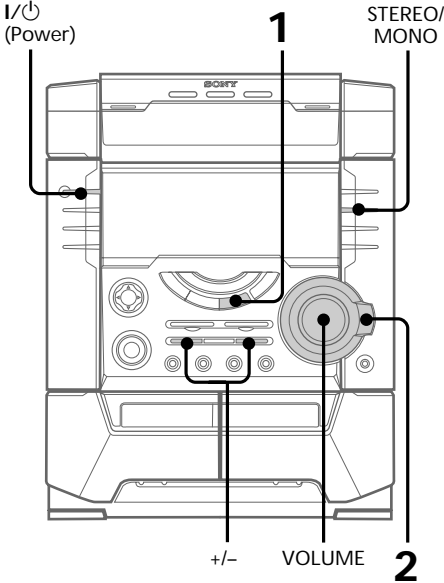
### Note

You cannot listen to other sources while recording.

# Listening to the radio

## -- Preset Tuning

Preset radio stations in the tuner's memory first (see "Step 4: Presetting radio stations" on page 9).



**1** Press TUNER/BAND repeatedly until the band you want appears in the display.

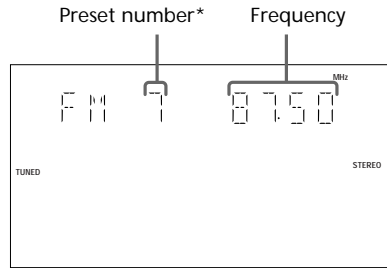
Every time you press the button, the band changes as follows:  
FM ↔ AM

**2** Turn SHUTTLE until it clicks (or press PRESET +/- on the remote) to tune in the preset station you want.

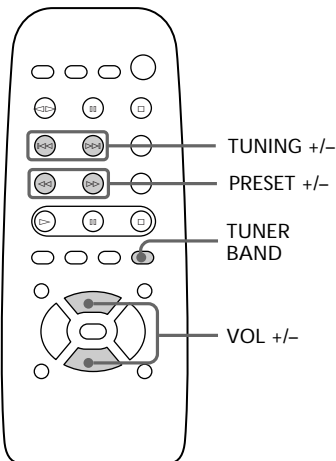
Turn counter-clockwise (or press PRESET - on the remote) for lower preset numbers.



Turn clockwise (or press PRESET + on the remote) for higher preset numbers.



\* When only one station is preset, "ONE PRESET" appears in the display.



To	Do this
Turn off the radio	Press I/⏻.
Adjust the volume	Turn VOLUME (or press VOL +/- on the remote).

## To listen to non-preset radio stations

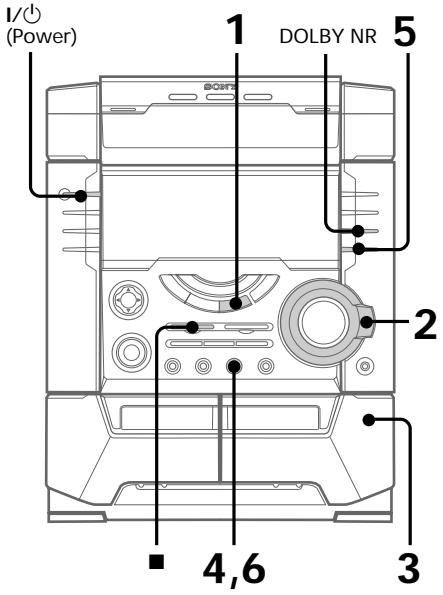
Use manual or automatic tuning in step 2. For manual tuning, press + or - (or TUNING +/- on the remote) repeatedly. For automatic tuning, press and hold + or - (or TUNING +/- on the remote).

### Tips

- You can switch from another source to the radio just by pressing TUNER/BAND (Automatic source selection).
- When an FM program is noisy, press STEREO/MONO so that "MONO" appears in the display. There will be no stereo effect, but the reception will improve. Press the button again to restore the stereo effect.
- To improve broadcast reception, reorient the supplied antennas.

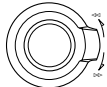
## Recording from the radio

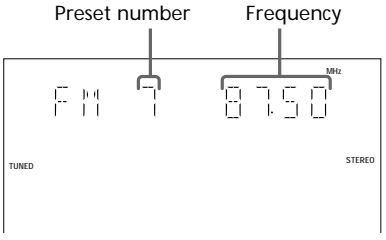
You can record the radio program on a tape by calling up a preset station. You can use TYPE I (normal) or TYPE II (CrO<sub>2</sub>) tapes. The recording level is adjusted automatically.



**1** Press TUNER/BAND to select the band you want.

**2** Turn SHUTTLE until it clicks (or press PRESET +/- on the remote) to tune in a preset station.

Turn counter-clockwise (or press PRESET - on the remote) for lower preset numbers.  Turn clockwise (or press PRESET + on the remote) for higher preset numbers.

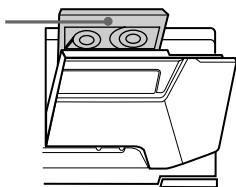


continued

## Recording from the radio (continued)

- 3** Press ▲ and insert a recordable tape into deck B.

With the side you want to record facing forward



- 4** Press REC PAUSE/START.  
Deck B stands by for recording.

- 5** Press DIRECTION repeatedly to select ⇌ to record on one side. Select ⇄ (or RELAY) to record on both sides.

- 6** Press REC PAUSE/START.  
Recording starts.

### To stop recording

Press ■.

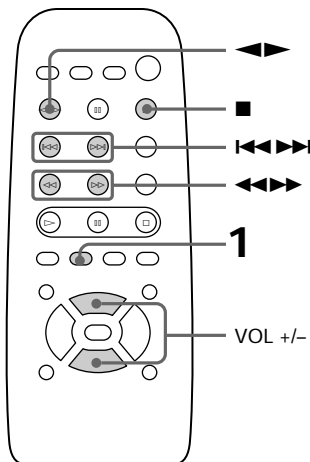
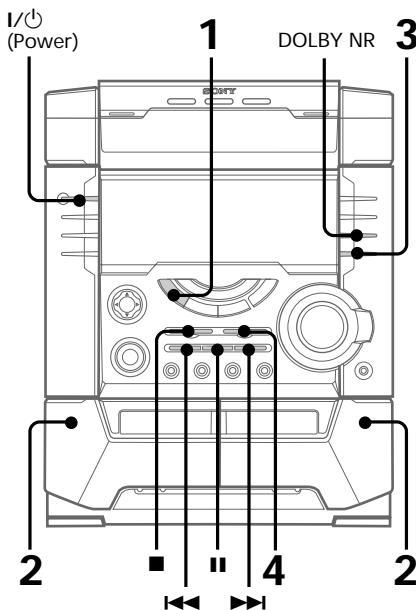
#### Tips

- If you want to record from the reverse side, press TAPE A/B repeatedly to select deck B after step 1. Press ◀▶ to start playback of the reverse side, then press ■ where you want to start recording. TAPE B reverse side indicator lights up (see page 17).
- When you record on both sides, be sure to start from the front side. If you start from the reverse side, recording stops at the end of the reverse side.
- To record non-preset stations, use + and - (or TUNING +/- on the remote) in step 2 to tune in the desired station manually.
- When you want to reduce the hiss noise in low-level high-frequency signals, press DOLBY NR so that "DOLBY NR" appears after pressing REC PAUSE/START in step 4.
- If noise is heard while recording from the radio, move the respective antenna to reduce the noise.

## Playing a tape

You can use TYPE I (normal) or TYPE II (CrO<sub>2</sub>) tapes. You can also use the ◀◀/▶▶ (AMS\* function) button to quickly search for songs you want to hear. To select either deck A or B, press TAPE A/B repeatedly.

\* AMS (Automatic Music Sensor)

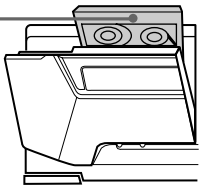




**1** Press TAPE A/B repeatedly to select deck A or B.

**2** Press **▲** and insert a recorded tape in deck A or B.

With the side you want to play facing forward

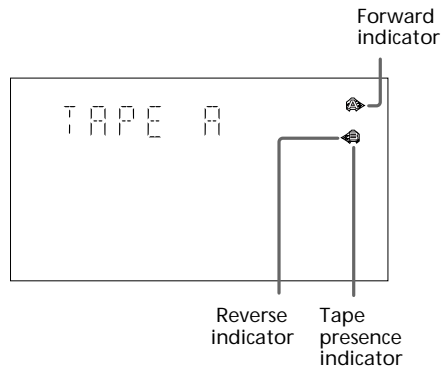


**3** Press DIRECTION repeatedly to select **↔** to play one side. Select **↔↔** to play both sides.

To play both decks in succession, select RELAY (relay play).\*

**4** Press **◀▶**.

Press **◀▶** again to play the reverse side. The tape starts playing.



To	Do this
Stop play	Press <b>■</b> .
Pause	Press <b>⏸</b> . Press again to resume play.
Fast-forward	Turn SHUTTLE clockwise until it clicks (or press <b>▶▶</b> on the remote) while playing the front side or counterclockwise until it clicks (or press <b>◀◀</b> on the remote) while playing the reverse side.
Rewind	Turn SHUTTLE counterclockwise until it clicks (or press <b>◀◀</b> on the remote) while playing the front side or clockwise until it clicks (or press <b>▶▶</b> on the remote) while playing the reverse side.
Remove the cassette	Press <b>▲</b> .
Adjust the volume	Turn VOLUME (or press VOL +/- on the remote).

**Tips**

- When no tapes are inserted, all indicators light. When a tape (tapes) is (are) inserted, corresponding presence and forward/reverse indicators light.
- When you want to reduce the hiss noise in low-level high frequency signals, press DOLBY NR so that "DOLBY NR" appears.

**Searching for the beginning of a track (AMS\*)**

During playback, press **◀◀** or **▶▶** repeatedly for the number of songs you want to skip forward (or backward).

The search direction, + (forward) or - (back), and number of songs being skipped (1~9) appear in the display.

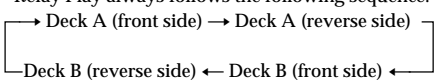
Example: searching forward 2 songs  
 TAPE A: +2

\* AMS (Automatic Music Sensor)

**Notes**

- The deck stops automatically after repeating the sequence five times.
- The AMS function may not operate correctly under the following circumstances:
  - When the unrecorded space between songs is less than 4 seconds long.
  - If completely different information is recorded on the left and right channels.
  - When there are continuous sections of extremely low level or low frequency sound (like those of a baritone sax).
  - When the unit is placed near a television. (In this case, we recommend moving the unit farther away from the television or turning off the television.)

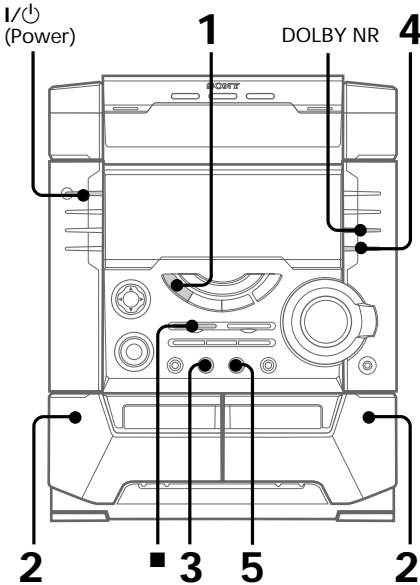
\* Relay Play always follows the following sequence:



# Recording from a tape

## — High-speed Dubbing

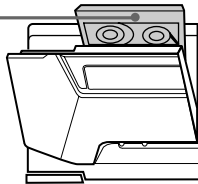
You can use TYPE I (normal) or TYPE II (CrO<sub>2</sub>) tapes. The recording level is adjusted automatically.



**1** Press TAPE A/B.

**2** Press ▲ and insert a recorded tape in deck A and a recordable tape in deck B.

With the side you want to play/record facing forward



**3** Press CD SYNC HI-DUB.  
Deck B stands by for recording.

**4** Press DIRECTION repeatedly to select ⇌ to record on one side. Select ⇔ (or RELAY) to record on both sides.

**5** Press REC PAUSE/START.  
Dubbing starts.

### To stop dubbing

Press ■.

### Tips

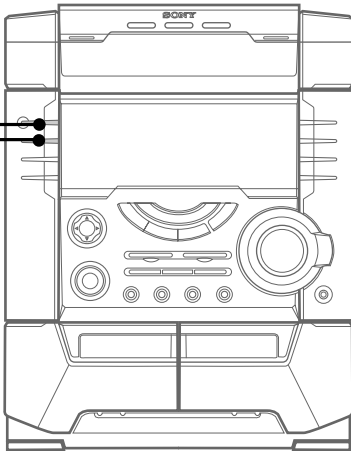
- When you dub on both sides, start recording from the front side. If you record from the reverse side, recording stops at the end of the reverse side.
- If you set DIRECTION to ⇔ when the tapes you use have different lengths, the tape in each deck reverses independently. If you select RELAY, the tapes in both decks reverse together.
- You don't have to set DOLBY NR, since the tape in deck B is automatically recorded in the same state as the tape in deck A.

## Using the CD display

You can check the remaining time of the current track or that of the CD.

When a CD TEXT disc is loaded, you can check the information stored on the disc, such as the titles or artist names. When the unit detects CD TEXT discs, the "CD-TEXT" indication appears in the display.

I/⏻  
(Power)

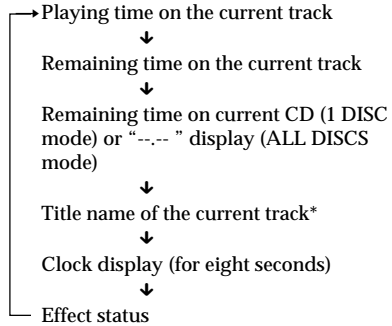


DISPLAY

➔ Press DISPLAY.

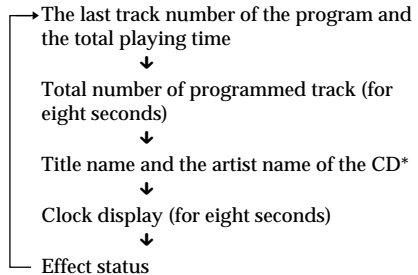
Each time you press the button during normal playback or in the stop mode, the display changes as follows:

### During normal playback

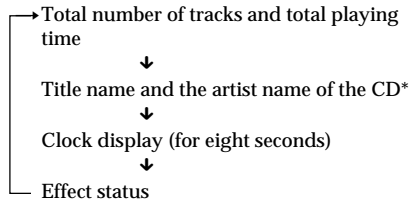


### In the stop mode

In the program mode and when there is a program



### In other conditions

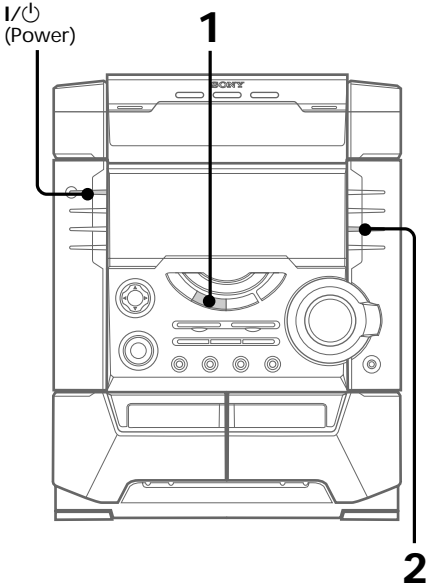


\* With CD TEXT discs only (certain characters cannot be displayed). Depending on the disc, some CD TEXT information may not appear.

# Playing the CD tracks repeatedly

## -- Repeat Play

This function lets you repeat a single CD or all CDs in Normal Play, Shuffle Play and Program Play.



**1** Press CD, then place a CD.

**2** Press REPEAT during playback until "REPEAT" appears in the display. "REPEAT ALL" scrolls in the display and Repeat Play starts. Do the following procedure to change the repeat mode.

To repeat	Press
All the tracks on the current CD up to 5 times	PLAY MODE repeatedly until "CONTINUE 1 DISC" or "SHUFFLE 1 DISC" appears in the display.
All the tracks on all CDs up to 5 times	PLAY MODE repeatedly until "CONTINUE ALL DISCS" appears in the display.
Only one track	REPEAT repeatedly until "REPEAT 1" appears in the display while playing the track you want to repeat.

### To cancel Repeat Play

Press REPEAT until "REPEAT OFF" scrolls and "REPEAT" or "REPEAT 1" disappears from the display.

### Notes

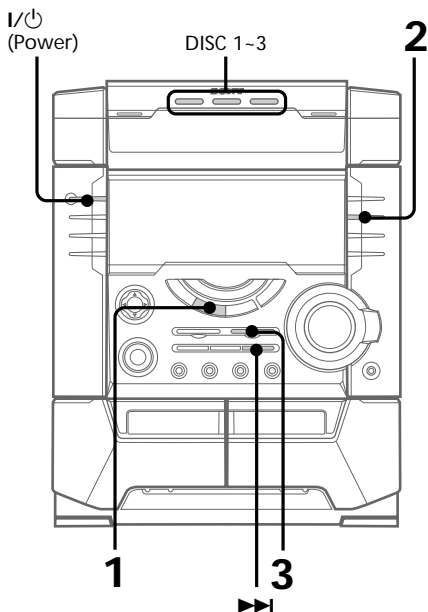
- REPEAT (ALL) mode is canceled if you press PLAY MODE repeatedly until "SHUFFLE ALL DISCS" appears.
- During Program Play, the program is also repeated up to 5 times.

---

# Playing the CD tracks in random order

## -- Shuffle Play

You can play all the tracks on one CD or all CDs in random order.



## To cancel Shuffle Play

Press PLAY MODE repeatedly until "SHUFFLE" or "PGM" disappears from the display. The tracks continue playing in their original order.

## To select a desired CD

Press DISC 1~3.

## Tips

- You can start Shuffle Play during Normal Play by pressing PLAY MODE repeatedly to select "SHUFFLE".
- To skip a track, press ►►.

---

**1** Press CD, then place a CD.

---

**2** Press PLAY MODE repeatedly until "SHUFFLE 1 DISC" or "SHUFFLE ALL DISCS" appears in the display. "ALL DISCS" shuffles all the CDs in the player. "1 DISC" shuffles the CD whose DISC indicator is lit green.

---

**3** Press ◀▶.

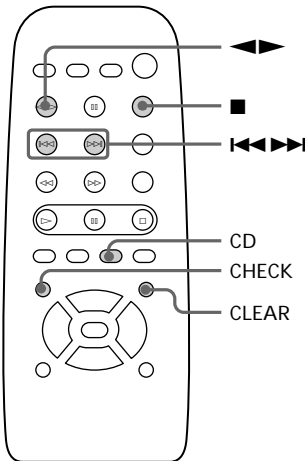
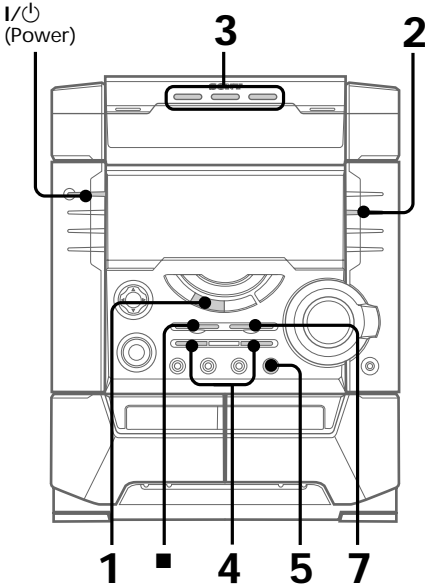
All the tracks play in random order.

---

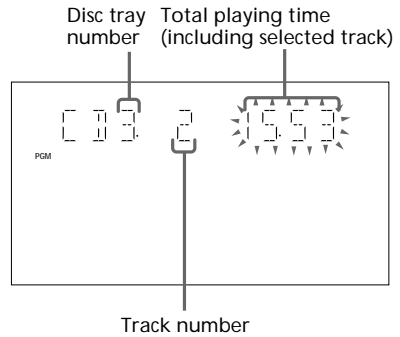
# Programming the CD tracks

## -- Program Play

You can make a program of up to 32 tracks from all the CDs in the order you want them to be played.



- 1 Press CD, then place a CD.
- 2 Press PLAY MODE repeatedly until "PROGRAM" scrolls and "PGM" appears in the display.
- 3 Press one of the DISC 1~3 buttons to select a CD.  
To program all the tracks on a CD at once, proceed to step 5 while "AL" appears on the display.
- 4 Press ◀◀ or ▶▶ repeatedly until the track you want appears in the display.



- 5 Press ENTER.  
The track is programmed. The program step number appears, followed by the total playing time.
- 6 To program additional tracks, repeat steps 3 to 5.  
Skip step 3 to select tracks from the same disc.
- 7 Press ◀▶.  
All the tracks play in the order you selected.

## To cancel Program Play

Press PLAY MODE repeatedly until "PGM" or "SHUFFLE" disappears from the display.

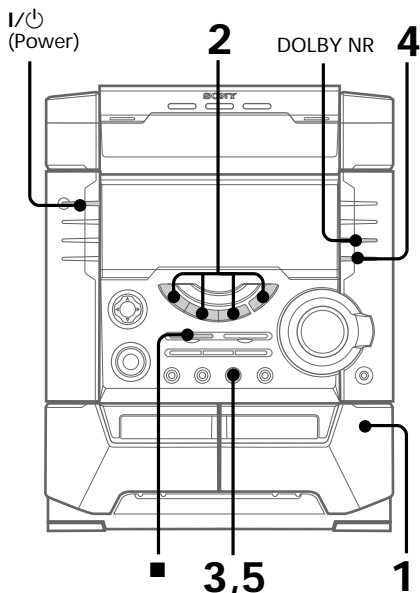
To	Press
Check the program	CHECK on the remote repeatedly. After the last track, "CHECK END" appears.
Clear a track from the end	CLEAR on the remote in stop mode.
Clear a specific track in stop mode	CHECK on the remote repeatedly until the number of the track to be erased appears, then press CLEAR.
Add a track to the program in stop mode	1 Select the disc tray with a DISC 1~3 button. 2 Select the track by pressing <b>⏮</b> or <b>⏭</b> . 3 Press ENTER.
Clear the entire program	■ once in stop mode or twice while playing.

### Tips

- The program you made remains in the system's memory even after it has been played back. Press CD, then press **◀▶** to play the same program again.
- If "--:--" appears instead of the total playing time during programming, this means:
  - you have programmed a track number which exceeds 20.
  - the total playing time has exceeded 100 minutes.

## Recording on a tape manually

You can record from CD, tape, or radio as you like. For example, you can record just the songs you want or record from the middle of the tape. The recording level is adjusted automatically.



**1** Insert a recordable tape into deck B.

**2** Press one of the function buttons you want to record (e.g., CD).  
When you want to record from TAPE A, press TAPE A/B repeatedly until TAPE A is selected.

**3** Press REC PAUSE/START.  
Deck B stands by for recording. The REC PAUSE/START button flashes.

**4** Press DIRECTION repeatedly to select  $\rightleftarrows$  to record on one side. Select  $\leftrightarrow$  (or RELAY) to record on both sides.

**5** Press REC PAUSE/START.  
Recording starts.

**6** Press  $\blacktriangleleft\blacktriangleright$  to start playing the source to be recorded.

To	Press
Stop recording	■
Pause recording	REC PAUSE/START.

### Tips

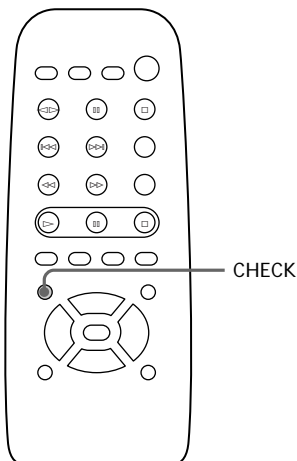
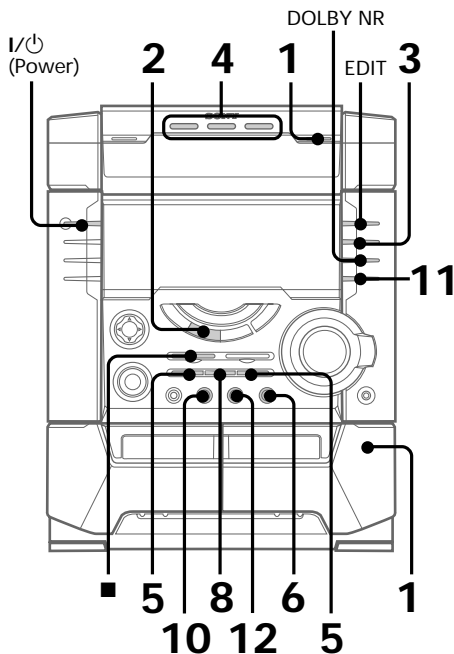
- If you want to record from the reverse side, press TAPE A/B repeatedly to select deck B after step 1. Press  $\blacktriangleleft\blacktriangleright$  to start playback of the reverse side, then press ■ where you want to start recording. TAPE B reverse side indicator lights up (see page 17).
- When recording from a CD, you can press  $\blacktriangleleft\blacktriangleright$  or  $\blacktriangleright\blacktriangleleft$  to select tracks during recording pause mode (after pressing REC PAUSE/START in step 3 and before pressing REC PAUSE/START in step 5).
- When you want to reduce the hiss noise in low-level high-frequency signals, press DOLBY NR so that "DOLBY NR" appears after pressing REC PAUSE/START in step 3.



# Recording a CD by specifying track order

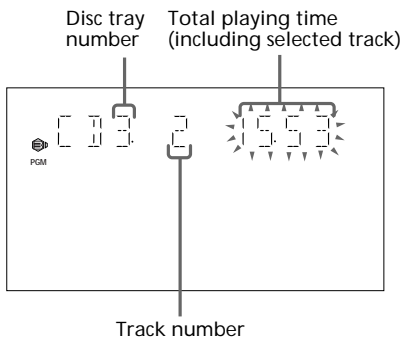
## — Program Edit

You can record tracks from all the CDs in the order you want. When programming, make sure the playing times for each side do not exceed the length of one side of the tape.



- 1 Place a CD and insert a recordable tape into deck B
- 2 Press CD.
- 3 Press PLAY MODE repeatedly until "PROGRAM" scrolls and "PGM" appears in the display.
- 4 Press one of the DISC 1~3 buttons to select a CD.  
To program all the tracks on a CD at once, proceed to step 6 while "AL" appears in the display.

- 5 Press ◀◀ or ▶▶ until the track you want appears in the display.



- 6 Press ENTER.  
The track is programmed. The program step number appears, followed by the total playing time.
- 7 To program additional tracks to be recorded on side A, repeat steps 4 to 6.  
Skip step 4 to select tracks from the same disc.

continued

## Recording a CD by specifying track order (continued)

- 
- 8** Press **II** to insert a pause at the end of side A.  
“P” appears in the display and the total playing time resets to “0.00” in the display.
- 
- 9** Repeat steps 5 and 6 for tracks from the same disc or steps 4 to 6 for tracks from another disc to program the remaining tracks to be recorded on side B.
- 
- 10** Press **CD SYNC HI-DUB**.  
Deck B stands by for recording and the CD player stands by for playback. **REC PAUSE/START** button blinks.
- 
- 11** Press **DIRECTION** repeatedly to select  $\rightleftarrows$  to record on one side. Select  $\leftrightarrow$  (or **RELAY**) to record on both sides.
- 
- 12** Press **REC PAUSE/START**.  
Recording starts.
- 

### To stop recording

Press **■**.

### To check the order

Press **CHECK** on the remote repeatedly. After the last track, “CHECK END” appears.

### To cancel Program Edit

Press **PLAY MODE** repeatedly until “PGM” or “SHUFFLE” disappears from the display.

### Tip

When you want to reduce the hiss noise in low-level high-frequency signals, press **DOLBY NR** so that “DOLBY NR” appears after pressing **CD SYNC HI DUB**.

## Selecting tape length automatically

### —Tape Select Edit

You can check the most suitable tape length for recording a CD. Do the following steps before recording.

- 
- 1** Place a CD.
- 
- 2** Press **CD**.
- 
- 3** Press **EDIT** once, so that “EDIT” flashes.  
The required tape length for the currently selected CD appears, followed by the total playing time for side A and side B respectively.
- 

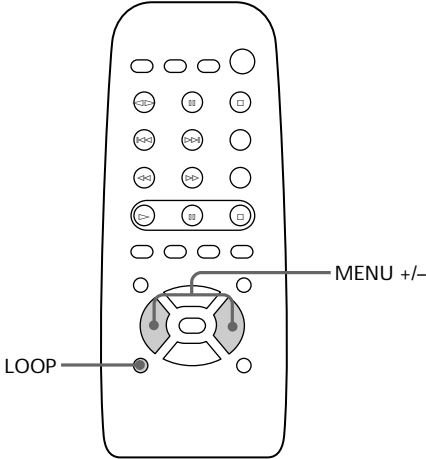
### Note

You cannot use Tape Select Edit for discs containing over 20 tracks.

## Looping part of a CD

### — Loop

With the loop function, you can repeat part of a CD during playback. This lets you create original recordings.



---

➔ Press and hold LOOP during playback at the point you want to start the Loop function, and release to resume normal play.

---

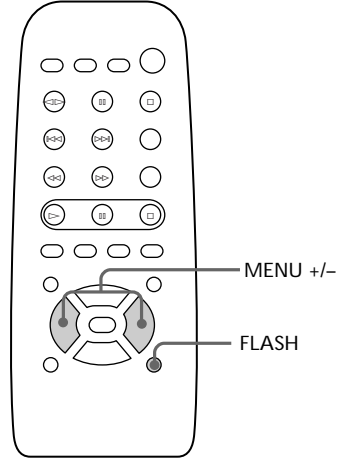
### To adjust the loop length

Press MENU +/- on the remote while holding LOOP to select different LOOP lengths (LOOP 1~20).

## Flashing part of a CD

### — Flash

With the flash function, you can “flash” the CD sound during playback. This lets you create original recordings.



---

➔ Press and hold FLASH during playback at the point you want to start the Flash function, and release to resume normal play.

---

### To adjust the flash length

Press MENU +/- on the remote while holding FLASH to select different flash lengths (FLASH 1~20).

### To use LOOP and FLASH together

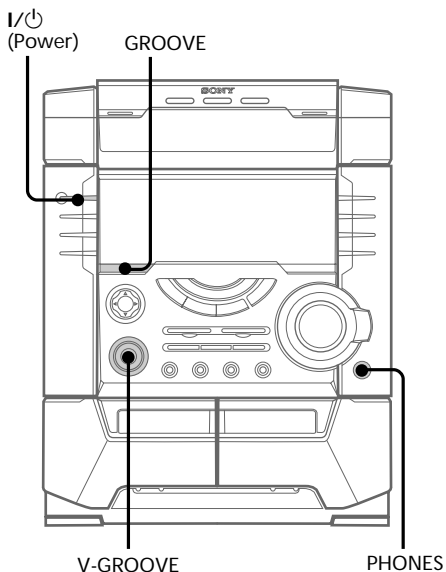
Press and hold both LOOP and FLASH at the same time.

### Notes

- The loop and flash length cannot be adjusted during this operation. Adjust the loop and flash lengths independently beforehand if necessary.
- To record the loop or flash effect, use the tape deck on this unit.

# Adjusting the sound

You can reinforce the bass, create a more powerful sound, and listen with headphones.



### Note

The V-GROOVE function will be automatically cancelled, when you select GROOVE.

### To listen through the headphones

Connect the headphones to the PHONES jack. No sound will come from the speakers.

### To reinforce lower bass sound (V-GROOVE)

Press V-GROOVE. "V-GROOVE ON" appears in the display.

The lower bass frequency of the music you are listening to is powerfully reinforced, the equalizer curve changes, loudness increased and the "V-GROOVE" button lights up.

Press V-GROOVE again to return to the previous level.

### For a powerful sound (GROOVE)

Press GROOVE. "GROOVE ON" appears in the display.

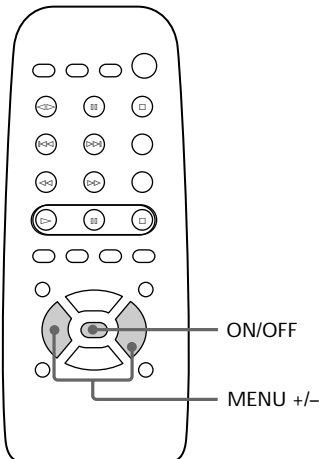
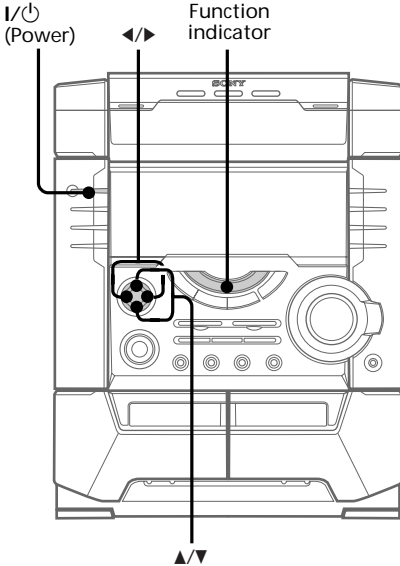
The volume switches to power mode, the equalizer curve changes, and the "GROOVE" indicator lights up.

Press GROOVE again to return to the previous volume.

# Selecting the audio emphasis

The audio emphasis menu lets you select the sound characteristics according to the sound you are listening to.

## Selecting the effect from music menu



- ➔ Press ◀/▶ (or MENU +/- on the remote) to select the preset you want. The preset name appears in the display. See the chart “Music menu options”.

## To select USER FILE

Press ▲.

## To cancel the effect

Press ▼ (or ON/OFF on the remote) repeatedly so that “EFFECT OFF” appears in the display.

## Music menu options

“SURROUND” appears if you select an effect with surround effects.

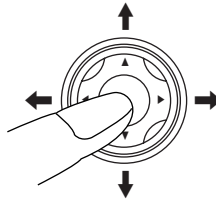
Effect	For
ROCK	Standard music sources
POP	
JAZZ	
DANCE	
SOUL	
ORIENTAL	
ACTION	Soundtracks and special listening situations
DRAMA	
SF	
GAME	
USER FILE	(see page 31)

## Note

During EFFECT OFF or SPECTRUM OFF mode, the function indicator will automatically turn off.

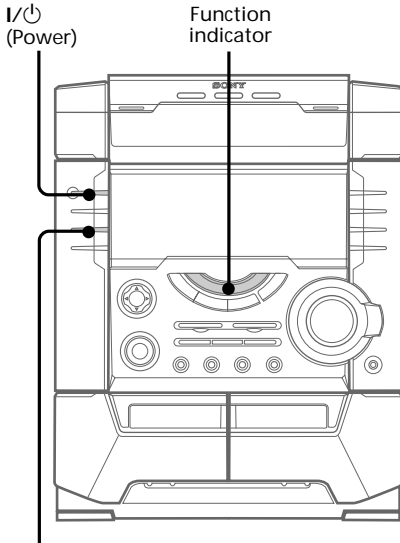
## Tip

Place your finger in the concave and move in the direction you want (▲/▼/◀/▶) as shown below.



# Changing the spectrum analyzer display

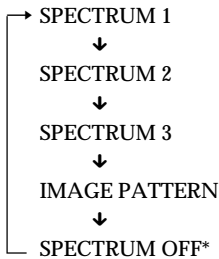
You can enjoy changing the display while listening to the music.



SPECTRUM

➔ Press SPECTRUM.

Every time you press the button, the display changes as follows:



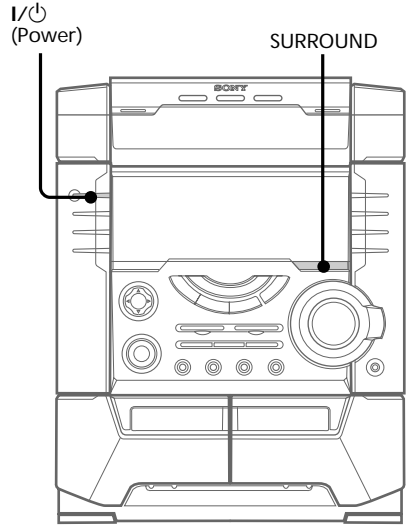
\* The display slightly dims.

## Note

During EFFECT OFF or SPECTRUM OFF mode, the function indicator will automatically turn off.

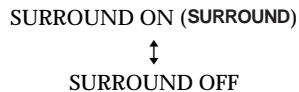
# Selecting the surround effect

You can enjoy the surround effect.



➔ Press SURROUND.

Every time you press the button, the display changes as follows:



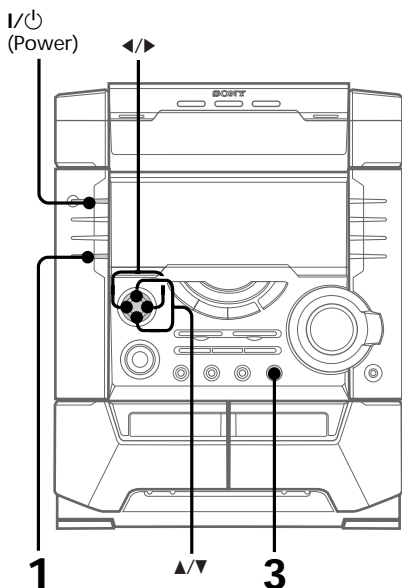
## Note

When you choose other sound effects, the surround effect will be canceled.

# Adjusting the graphic equalizer

You can adjust the sound by raising or lowering the levels of specific frequency ranges.

Before operation, first select the audio emphasis you want for your basic sound.

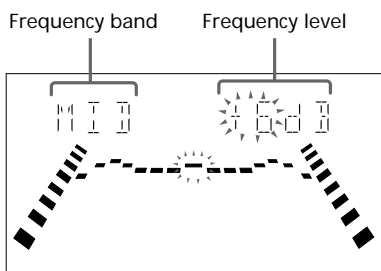


- 3 Press ENTER.  
This setting is automatically stored as USER FILE.

## Tips

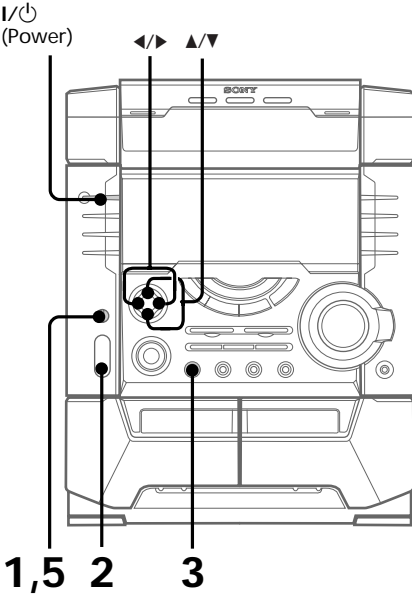
- If you want to select the previously adjusted equalizer settings (USER FILE), press ▲ (when using the remote, press MENU +/- repeatedly until USER FILE is selected).
- To use the ◀/▶/▲/▼, see page 29.

- 1 Press EQ EDIT.
- 2 Press ◀/▶ to select the frequency band, then press ▲/▼ to adjust the level.



# Singing along: Karaoke

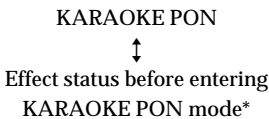
You can sing along with any stereo CD or tape by turning down the singer's voice. You need to connect an optional microphone.




**1** Turn MIC LEVEL to MIN to turn down the microphone control level.

**2** Connect an optional microphone to MIC.

**3** Press KARAOKE PON.  
Every time you press the button, the display changes as follows:



\* KARAOKE PON is cancelled.


The  indicator appears in the display when a karaoke mode is activated.

To sing karaoke with decreasing the vocal level of a CD, select "KARAOKE PON".

**4** Start playing the music and adjust the volume.

**5** Adjust the microphone volume by turning MIC LEVEL.

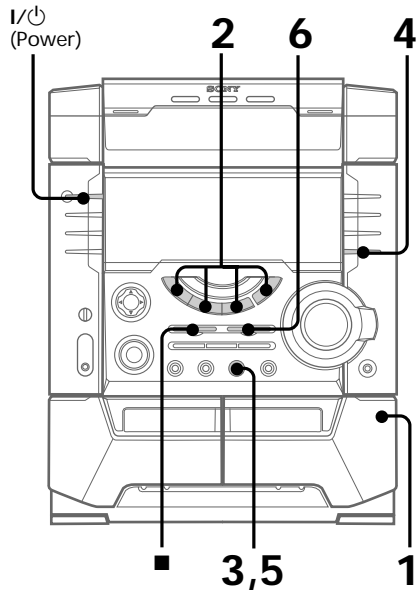
## When you are done

Turn MIC LEVEL to MIN and disconnect the microphone from MIC, then press KARAOKE PON repeatedly until "" disappears.

## Notes

- With some songs, vocals may not be canceled when you select "KARAOKE PON".
- During KARAOKE PON, equalizer and surround settings cannot be changed.
- If you press ◀/▶/▲/▼ (or ON/OFF or MENU +/- on the remote) or recall a sound effect, the karaoke mode is canceled.

## Mixing and recording sounds





---

**1** Do the procedures for singing along (steps 1 to 5 on page 33 and 34). Then, insert a recordable tape in deck B.

---

**2** Press one of the function buttons you want to record (e.g., CD). When you want to record from TAPE A, press TAPE A/B repeatedly until TAPE A is selected.

---

**3** Press REC PAUSE/START. Deck B stands by for recording. The REC PAUSE/START button blinks.

---

**4** Press DIRECTION repeatedly to select  $\rightleftarrows$  to record on one side. Select  $\leftrightarrow$  (or RELAY) to record on both sides.

---

**5** Press REC PAUSE/START. Recording starts.

---

**6** Press  $\blacktriangleleft\blacktriangleright$  to start playing the source to be recorded. Start singing along with the music.

---

## To stop recording

Press ■.

### Tips

- If acoustic feedback (howling) occurs, move the microphone away from the speakers or change the direction of the microphone.
- If you want to record your voice through the microphone only, you can do so by selecting the CD function and not playing a CD.
- When high level sound signals are input, the unit automatically adjusts the recording level to prevent distortion of the recorded sound signal (Auto Level Control Function).

### Notes

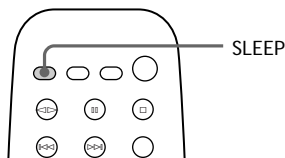
- The instrumental sound may be reduced as well as the singer's voice when the sound is recorded in monaural.
- The singer's voice may not be reduced when:
  - only a few instruments are playing.
  - a duet is being played.
  - the source has strong echoes or chorus.
  - the singer's voice deviates from the center.
  - the voice on the source is singing in high soprano or tenor.

---

# Falling asleep to music

## — Sleep Timer

You can let the system turn off at the preset time, so you can fall asleep to the music. You can preset the time to be turned off by 10 minutes increments.



---

➔ Press SLEEP.

Every time you press the button, the minute display (the turn-off time) changes as follows:

AUTO → 90 → 80 → 70  
→ ... → 10 → OFF → AUTO ...

---

## When you choose "SLEEP AUTO"

The power turns off when the current CD or tape finishes playback (for up to 100 minutes).

## To check the remaining time

Press SLEEP once.

## To change the time to turn off

Select the time you want by pressing SLEEP.

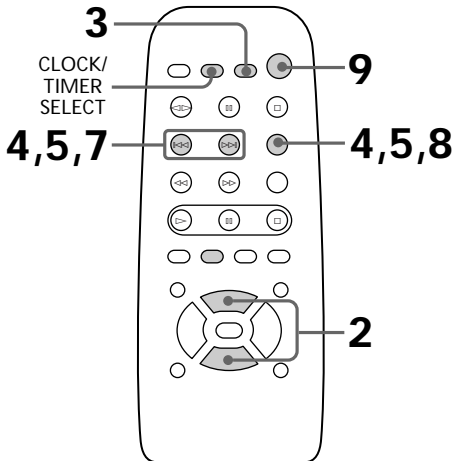
## To cancel the Sleep Timer function

Press SLEEP repeatedly until "SLEEP OFF" appears.

# Waking up to music

## — Daily Timer

You can wake up to music at a preset time every day. Make sure you have set the clock (see “Step 3: Setting the time” on page 8).



**1** Prepare the music source you want to play.

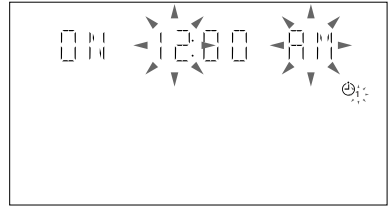
- CD: Insert a CD. To start from a specific track, make a program (see “Programming the CD tracks” on page 22).
- Tape: Insert a tape with the side you want to play facing forward.
- Radio: Tune in the preset station you want (see “Step 4: Presetting radio stations” on page 9).

**2** Adjust the volume.

**3** Press CLOCK/TIMER SET.  
“SET (DAILY 1)” appears.

**4** Press ◀◀ or ▶▶ repeatedly to select “DAILY 1 (or 2)”, then press ENTER.

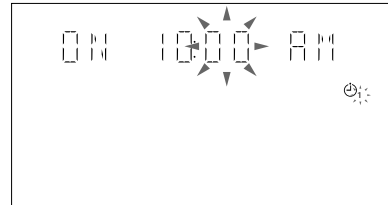
“ON” appears and the hour digits flash in the display.



**5** Set the time to start playback.

Press ◀◀ or ▶▶ repeatedly to set the hour, then press ENTER.

The minute indication starts flashing.

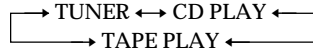


Press ◀◀ or ▶▶ repeatedly to set the minute, then press ENTER.

The hour indication flashes again.

**6** Set the time to stop playback following the above procedure.

**7** Press ◀◀ or ▶▶ repeatedly until the music source you want appears. The indications change as follows:



---

## 8 Press ENTER.

The type of timer (DAILY 1 or DAILY 2), followed by the start time, stop time and the music source, appears, then the original display appears.

---

## 9 Turn off the power.

---

### To check the setting

Press CLOCK/TIMER SELECT and press ◀◀ or ▶▶ repeatedly to select the respective mode (DAILY 1 or DAILY 2), then press ENTER on the remote.

To change the setting, start over from step 1.

### To cancel the timer operation

Press CLOCK/TIMER SELECT and press ◀◀ or ▶▶ repeatedly to select "TIMER OFF", then press ENTER.

### Notes

- You cannot activate DAILY 1 and DAILY 2 timer at the same time.
- You cannot set timer if the timer on and off times are the same.
- When you use the Sleep Timer, Daily Timer and Timer recording will not turn on the system until the Sleep Timer turns it off.
- You cannot activate Daily Timer and Timer recording at the same time.

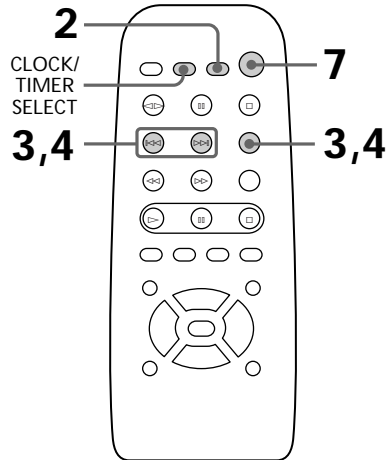
### Tip

The power turns on 15 seconds before the preset time.

---

## Timer-recording radio programs

To timer-record, you must preset the radio station (see "Step 4: Presetting radio stations" on page 9) and set the clock (see "Step 3: Setting the time" on page 8) beforehand.



---

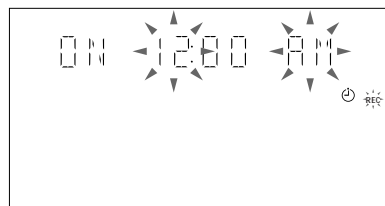
**1** Tune in the preset radio station (see "Listening to the radio" on page 14).

---

**2** Press CLOCK/TIMER SET.  
"SET (DAILY 1)" appears.

---

**3** Press ◀◀ or ▶▶ repeatedly to select "REC", then press ENTER.  
"ON" appears and the hour indication flash in the display.

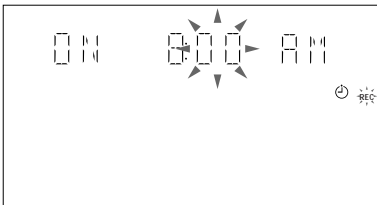


continued

## Timer-recording radio programs (continued)

---

- 4** Set the time to start recording.  
Press ◀◀ or ▶▶ repeatedly to set the hour, then press ENTER.  
The minute indication starts flashing.



Press ◀◀ or ▶▶ repeatedly to set the minute, then press ENTER.  
The hour indication flashes again.

---

- 5** Set the time to stop recording following the above procedure.  
The start time appears, followed by the stop time, the preset radio station to be recorded (e.g., "TUNER FM 5"), then the original display appears.
- 

- 6** Insert a recordable tape into deck B.
- 

- 7** Turn off the power.  
When the recording starts, the volume level is set to the minimum.
- 

## To check the setting

Press CLOCK/TIMER SELECT and press ◀◀ or ▶▶ repeatedly to select "REC", then press ENTER.

To change the setting, start over from step 1.

## To cancel the timer operation

Press CLOCK/TIMER SELECT and press ◀◀ or ▶▶ repeatedly to select "TIMER OFF", then press ENTER.

## Notes

- If the power is on at the preset time, the recording will not be made.
- You cannot set the timer if the timer on and off times are the same.
- You cannot activate the Timer-recording and Daily Timer at the same time.
- When you used the Sleep Timer, Daily Timer and Timer recording will not turn on the system until the Sleep Timer turns it off.

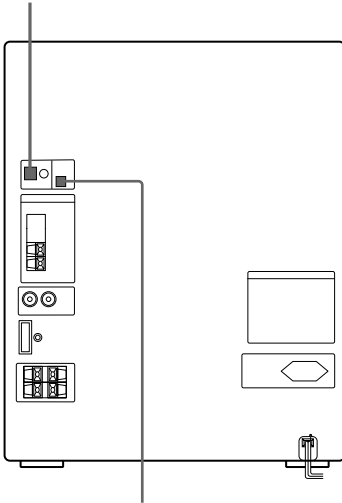
## Connecting audio components

Select one of the following two connections, depending on the equipment to be connected and method of connecting. Refer to the instructions of each component below.

## Connecting an MD deck for digital recording

You can record from CD into the MD deck digitally by connecting an optical cable.

To the DIGITAL IN jack of the MD deck



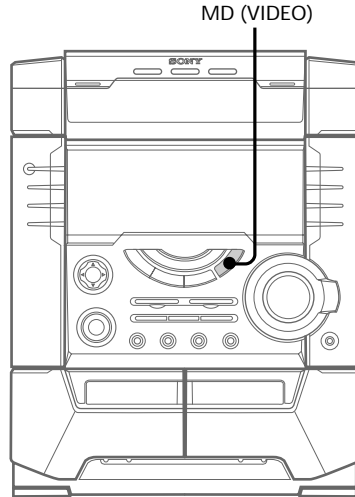
Optical Cover Holder

### Tip

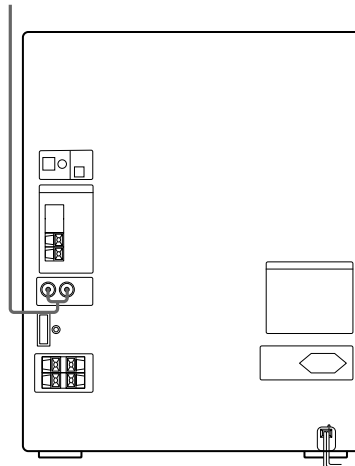
Keep the optical cover at the optical cover holder provided.

## Connecting an MD deck for listening to music

Make sure to match the color of the plugs and the connectors. To listen to the sound of the connected MD deck, press MD (VIDEO).



To the audio output of the MD deck



continued

## Connecting audio components (continued)

### Tip

When you connect a Sony MD deck, you can use the MD **▶**, **||**, and **■** buttons on this unit's remote to perform play, pause, and stop operations.

### Note

If you cannot select "MD" even when you have pressed MD (VIDEO), press I/⏻ while pressing MD (VIDEO) when the power is turned off. "VIDEO" will be switched to "MD". To return to "VIDEO", do the same procedure.

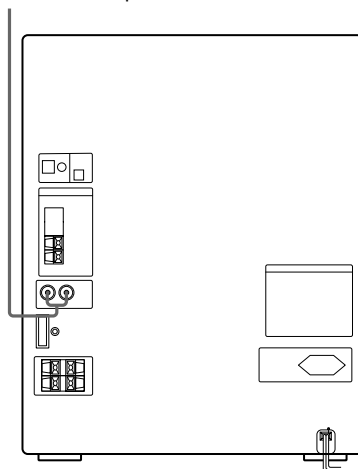
---

## Connecting a VCR

By connecting the audio output jacks of your VCR to the MD/VIDEO (AUDIO) jacks using an optional audio cable, you can enjoy video playback in powerful stereo sound.

Make sure to match the color of the plugs and the connectors. To listen to the sound of the connected VCR, hold down MD (VIDEO) and press I/⏻ when the power is turned off. This switches the "MD" function to "VIDEO". Once you enable the "VIDEO" function, just press MD (VIDEO).

To the audio output of the VCR



### Notes

- To return to "MD", press I/⏻ while pressing MD (VIDEO) again when the power is turned off.
- When you connect a VIDEO CD deck, set to "MD"

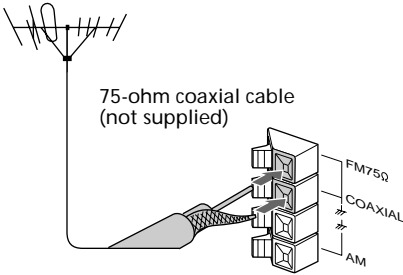
# Connecting external antennas

Connect the external antenna to improve the reception.

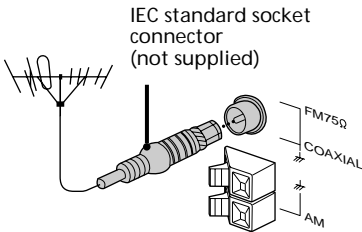
## FM antenna

Connect the optional FM external antenna. You can also use the TV antenna instead.

### Jack type Ⓐ



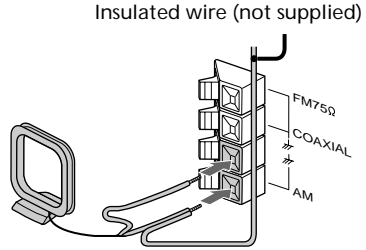
### Jack type Ⓑ



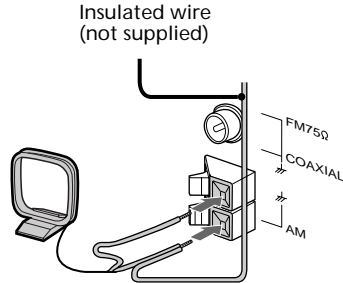
## AM antenna

Connect a 6- to 15- meter (20- to 50- feet) insulated wire to the AM antenna terminal. Leave the supplied AM loop antenna connected.

### Jack type Ⓐ



### Jack type Ⓑ



## Precautions

### On operating voltage

Before operating the unit, check that the operating voltage of your unit is identical with the voltage of your local power supply.

### On safety

- The unit is not disconnected from the AC power source (mains) as long as it is connected to the wall outlet, even if the unit itself has been turned off.
- Unplug the unit from the wall outlet (mains) if it is not to be used for an extended period of time. To disconnect the cord (mains lead), pull it out by the plug. Never pull the cord itself.
- Should any solid object or liquid fall into the component, unplug the unit and have the component checked by qualified personnel before operating it any further.
- The AC power cord must be changed only at the qualified service shop.

### On placement

- Place the unit in a location with adequate ventilation to prevent heat build-up in the unit.
- Do not place the unit in an inclined position.
- Do not place the unit in locations where it is:
  - Extremely hot or cold
  - Dusty or dirty
  - Very humid
  - Vibrating
  - Subject to direct sunlight

### On operation

- If the unit is brought directly from a cold to a warm location, or is placed in a very damp room, moisture may condense on the lens inside the CD player. Should this occur, the unit will not operate properly. Remove the CD and leave the unit turned on for about an hour until the moisture evaporates.
- When you move the unit, take out any discs.

If you have any questions or problems concerning your unit, please consult your nearest Sony dealer.

## Notes on CDs

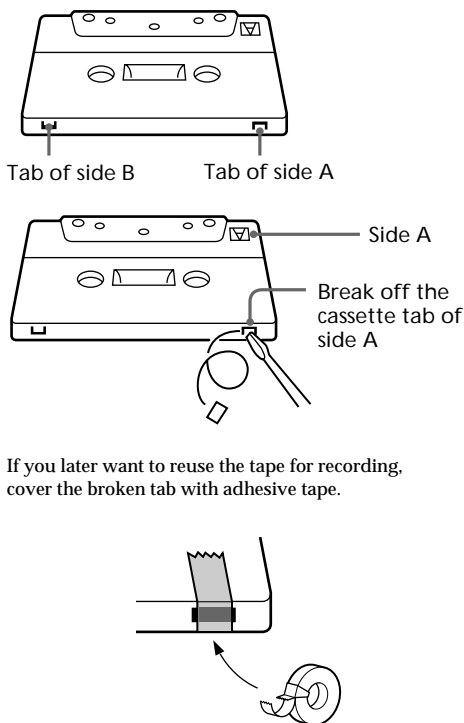
- Before playing, clean the CD with a cleaning cloth. Wipe the CD from the center out.
- Do not use solvents such as benzene, thinner, commercially available cleaners or anti-static spray intended for vinyl LPs.
- Do not expose the CD to direct sunlight or heat sources such as hot air ducts, nor leave it in a car parked in direct sunlight.

## Cleaning the cabinet

Use a soft cloth slightly moistened with mild detergent solution.

## To save a tape permanently

To prevent a tape from being accidentally recorded over, break off the cassette tab from side A or B as illustrated.





## Before placing a cassette in the tape deck

Take up any slack in the tape. Otherwise the tape may get entangled in the parts of the tape deck and become damaged.

## When using a tape longer than 90 minutes

The tape is very elastic. Do not change the tape operations such as play, stop, and fast-winding etc. frequently. The tape may get entangled in the tape deck.

## Cleaning the tape heads

Clean the tape heads after every 10 hours of use.

When the tape heads become dirty;

- the sound is distorted
- there is a decrease in sound level
- the sound drops out
- the tape does not erase completely
- the tape does not record

Make sure to clean the tape heads before you start an important recording or after playing an old tape. Use separately sold dry-type or wet-type cleaning cassette. For details, refer to the instructions of the cleaning cassette.

## Demagnetizing the tape heads

Demagnetize the tape heads and the metal parts that have contact with the tape every 20 to 30 hours of use with a separately sold demagnetizing cassette. For details, refer to the instructions of the demagnetizing cassette.

---

# Troubleshooting

If you run into any problem using this unit, use the following check list.

First, check that the power cord is connected firmly and the speakers are connected correctly and firmly.

Should any problem persist, consult your nearest Sony dealer.

---

## General

**The display starts flashing as soon as you plug in the power cord even though you haven't turned on the power (demonstration mode).**

Press DISPLAY when the power is turned off.

The demonstration mode appears automatically the first time you plug in the power cord or if there is a power outage.

---

**The clock setting is canceled.**

- The power cord is disconnected or a power failure occurs. Redo "Step 3: Setting the time" (on page 8). If you have set the timer, redo "Waking up to music" (on page 34) and "Timer-recording radio programs" (on page 35).

---

**The radio presetting/timer setting is canceled.**

- The power cord is disconnected or a power failure occurs for longer than half a day. Redo "Step 4: Presetting radio stations" (on page 9).

---

**There is no sound.**

- Turn VOLUME clockwise.
- The headphones are connected.
- Insert only the stripped portion of the speaker cord into the SPEAKER jack. Inserting the vinyl portion of the speaker cord will obstruct the speaker connections.
- The protective device on the amplifier has been activated because of short circuit. ("PROTECT" and "PUSH POWER" flash alternately.) Turn off the unit, eliminate the short-circuit problem and turn on the power again.
- There is no audio output during timer recording.

## Troubleshooting (continued)

---

There is severe hum or noise.

- A TV or VCR is placed too close to the stereo system. Move the stereo system away from the TV or VCR.
- 

The sound from the connected source is distorted.

- If “VIDEO” appears in the display when you press MD (VIDEO), switch the display to “MD” (see “Note: Connecting a VCR” on page 38).
- 

“12:00 AM” flashes in the display.

- A power interruption occurred. Set the clock and timer settings again.
- 

The timer does not function.

- Set the clock correctly.
- 

DAILY 1, DAILY 2, and REC do not appear when you press the CLOCK/TIMER SET button.

- Set the timer correctly.
  - Set the clock.
- 

The remote does not function.

- There is an obstacle between the remote and the system.
  - The remote is not pointing in the direction of the system’s sensor.
  - The batteries have run down. Replace the batteries.
- 

There is acoustic feedback.

- Decrease the volume level.
  - Move the microphone away from the speakers or change the direction of the microphone.
- 

The color irregularity on a TV screen persists.

- Turn off the TV set once, then turn it on after 15 to 30 minutes. If the color irregularity still persists, place the speakers farther away from the TV set.
- 

“PROTECT” and “PUSH POWER” appear alternately.

- A strong signal was input. Press I/⏻ to turn off the power, leave the system turned off for a while, then press I/⏻ again to turn on the power.
  - Check the speaker cables in case “PROTECT” and “PUSH POWER” appear alternately again after you turn the system on.
- 

## Speakers

---

Sound comes from one channel or unbalanced left and right volume.

- Check the speaker connection and speaker placement.
- 

Sound lacks bass.

- Check that the speaker’s + and – jacks are connected correctly.
- 

## CD Player

---

The CD tray does not close.

- The CD is not placed properly.
- 

The CD will not play.

- The CD is not lying flat in the disc tray.
  - The CD is dirty.
  - The CD is inserted label side down.
  - Moisture condensation has built up. Remove the CD and leave the system turned on for about an hour until the moisture evaporates.
- 

Play does not start from the first track.

- The player is in program or shuffle mode. Press PLAY MODE repeatedly until “PGM” or “SHUFFLE” disappears.
- 

“OVER” is displayed.

- You have reached the end of the CD. Turn SHUTTLE counterclockwise.
-

## Tape Deck

---

The tape does not record.

- No tape in the cassette holder.
- The tab has been removed from the cassette (see “To save a tape permanently” on page 40).
- The tape has reeled to the end.

The tape does not record nor play or there is a decrease in sound level.

- The heads are dirty. Clean them (see “Cleaning the tape heads” on page 41).
- The record/playback heads are magnetized. Demagnetize them (see “Demagnetizing the tape heads” on page 41).

The tape does not erase completely.

- The record/playback heads are magnetized. Demagnetize them (see “Demagnetizing the tape heads” on page 41).

There is excessive wow or flutter, or the sound drops out.

- The capstans or pinch rollers are dirty. Clean them (see “Cleaning the tape heads” on page 41).

Noise increases or the high frequencies are erased.

- The record/playback heads are magnetized. Demagnetize them (see “Demagnetizing the tape heads” on page 41).
- 

## Tuner

---

Severe hum or noise (“TUNED” or “STEREO” flashes in the display).

- Adjust the antenna.
- The signal strength is too weak. Connect the external antenna.

A stereo FM program cannot be received in stereo.

- Press STEREO/MONO so that “MONO” disappears.
- 

**If other troubles not described above occur, reset the system as follows:**

- 1 Press ■, ENTER and I/⏻ at the same time.
- 2 Unplug the power cord.
- 3 Plug the power cord back in.
- 4 Press I/⏻ to turn on the power.

The unit is reset to factory settings. All the settings you made, such as the preset stations, clock, and timer are cleared. You should set them again.

# Specifications

## Amplifier section

### HCD-DX8

The following measured at AC 120, 220, 240V  
50/60 Hz

DIN power output (rated) 160 + 160 watts  
(6 ohms at 1 kHz, DIN)

Continuous RMS power output (reference)  
200 + 200 watts  
(6 ohms at 1 kHz,  
10% THD)

### TA-DX8

The following measured at AC 120, 220, 240V  
50/60 Hz

DIN power output (rated) 75 + 75 watts  
(6 ohms at 1 kHz, DIN)

Continuous RMS power output (reference)  
100 + 100 watts  
(6 ohms at 1 kHz,  
10% THD)

### Inputs

MD/VIDEO (AUDIO) IN: voltage 450 mV/250 mV,  
(phono jacks) impedance 47 kilohms

MIC: sensitivity 1 mV,  
(phone jack) impedance 10 kilohms

### Outputs

PHONES: accepts headphones of 8  
(stereo mini jack) ohms or more

FRONT SPEAKER: accepts impedance of 6 to  
16 ohms

SATELLITE SPEAKER: accepts impedance of 6 to  
16 ohms

## CD player section

System Compact disc and digital  
audio system

Laser Semiconductor laser  
( $\lambda=780\text{nm}$ )

Emission duration:  
continuous

Laser output Max. 44.6  $\mu\text{W}$ \*  
\*This output is the value  
measured at a distance of  
200 mm from the  
objective lens surface on  
the Optical Pick-up Block  
with 7 mm aperture.

Frequency response 2 Hz - 20 kHz ( $\pm 0.5$  dB)

Wavelength 780 - 790 nm

Signal-to-noise ratio More than 90 dB

Dynamic range More than 90 dB

CD OPTICAL DIGITAL OUT  
(Square optical connector jack, rear panel)

Wavelength 660 nm

Output Level -18 dBm

## Tape player section

Recording system 4-track 2-channel stereo  
Frequency response 40 - 13,000 Hz ( $\pm 3$  dB),  
(DOLBY NR OFF) using Sony TYPE I  
cassette

40 - 14,000 Hz ( $\pm 3$  dB),  
using Sony TYPE II  
cassette

Wow and flutter  $\pm 0.15\%$  W.Peak (IEC)

0.1% W.RMS (NAB)

$\pm 0.2\%$  W.Peak (DIN)

## Tuner section

FM stereo, FM/AM superheterodyne tuner

### FM tuner section

Tuning range 87.5 - 108.0 MHz

Antenna FM lead antenna

Antenna terminals 75 ohm unbalanced

Intermediate frequency 10.7 MHz

### AM tuner section

Tuning range  
Middle Eastern models: 531 - 1,602 kHz  
(with the interval set at 9  
kHz)

Other models: 531 - 1,602 kHz  
(with the interval set at 9  
kHz)

530 - 1,710 kHz  
(with the interval set at 10  
kHz)

Antenna AM loop antenna

Antenna terminals External antenna terminal

Intermediate frequency 450 kHz

## Speaker

### Front speaker SS-DX8/SS-DX8B

Speaker system 3-way, 3-unit,  
bass-reflex type

### Speaker units

Super Woofer: 15 cm, cone type

Woofer: 15 cm, cone type

Tweeter: 5 cm, cone type

Nominal impedance 6 ohms

Dimensions (w/h/d) Approx. 250 x 395 x 360  
mm

Mass Approx. 6.4 kg net per  
speaker

### Satellite speaker SS-RS158/SS-RS158B

Speaker system 2-way, 3-unit,  
bass-reflex type

### Speaker units

Woofer: 10 cm, cone type

Tweeter: 4 cm, cone type

Nominal impedance 6 ohms

Dimensions (w/h/d) Approx. 140 x 360 x 325  
mm

Mass Approx. 3.7 kg net per  
speaker

## General

### Power requirements

Australian models:	230 - 240 V AC, 50/60 Hz
Mexican models:	120 V AC, 60 Hz
Thailand models:	220 V AC, 50/60 Hz
Other models:	120 V, 220 V or 230 - 240 V AC, 50/60 Hz
	Adjustable with voltage selector

### Power consumption

HCD-DX8	250 watts
TA-DX8	180 watts

### Dimensions (w/h/d)

HCD-DX8	Approx. 280 x 360 x 425 mm
TA-DX8	Approx. 150 x 360 x 360 mm

### Mass :

HCD-DX8	Approx. 9.5 kg
TA-DX8	Approx. 5.5 kg

Supplied accessories:	AM loop antenna (1)
	Remote commander (1)
	Batteries (2)
	Cord (with connectors) (1)
	FM lead antenna (1)
	Speaker pads (16)
	Speaker cords (2)

Design and specifications are subject to change without notice.





---

# Index

## A

- Adjusting
  - the audio emphasis 29
  - the graphic equalizer 31
  - the sound 28
  - the volume 12, 14, 17
- Antennas 5, 39
- Automatic Source Selection 12

## B

- Batteries 6

## C

- CD player 11, 19
- CD Synchro Recording 13
- Clock setting 8
- Connecting. *See* Hooking up

## D

- Daily Timer 34
- Display 19, 28, 29

## E

- Edit 25

## F

- Flash 27

## G

- Groove 28

## H, I, J

- High speed dubbing 18
- Hooking up
  - optional components 37
  - the antennas 5, 39
  - the power 6
  - the speakers 5, 7
  - the system 4

## K

- Karaoke 32

## L, M

- Loop 27

## N

- Normal Play 11

## O

- Optional Components 37

## P, Q

- Playing
  - a CD 11
  - a preset radio station 14
  - tracks in random order (Shuffle Play) 21
  - a tape 16
  - tracks in the desired order (Program Play) 22
  - tracks repeatedly (Repeat Play) 20
- Presetting radio stations 9
- Preset Tuning 14
- Program Edit 25
- Program Play 22
- Protecting recordings 40

## R

- Radio stations
  - presetting 9
  - tuning in 14
- Recording
  - a CD 13, 25
  - a radio program 15
  - a tape 18, 24
  - timer recording 35
- Repeat Play 20
- Resetting the system 43

## S

- Saving recordings 40
- Selecting the audio emphasis 29
- Setting the time 8
- Shuffle Play 21
- Sleep Timer 33
- Sound adjustment 28
- Speakers 5, 7
- Spectrum analyzer 30
- Surround effect 30

## T, U, V, W, X, Y, Z

- Tape deck 15, 24
- Tape Select Edit 26
- Timer
  - daily 34
  - falling asleep to music 33
  - sleep 33
  - timer recording 35
  - waking up to music 34
- Troubleshooting 41
- Tuner 9, 15
- Tuning interval 10, 44