

Additional Information for Using Sony Wall-Mount Bracket (SU-WL400)

**KDL-55W957A/55W955A/55W950A/55W807A/55W805A/55W801A/
55W800A**

KDL-50W707A/50W705A/50W700A

KDL-47W807A/47W805A/47W801A/47W800A

KDL-46W957A/46W955A/46W950A/46W707A/46W705A/46W700A

KDL-42W807A/42W805A/42W801A/42W800A

To Customers

Please provide your licensed contractor with this installation supplement as well as the instructions (supplied with the SU-WL400 Wall-Mount Bracket). Read these documents carefully for safety and proper installation.

To Sony Dealers and Contractors

Provide full attention to safety during the installation, periodic maintenance and examination of this product.

Sufficient expertise is required in installing this product, especially to determine the strength of the wall for withstanding the TV's weight. Be sure to entrust the attachment of this product to the wall to Sony dealers or licensed contractors and pay adequate attention to safety during the installation. Sony is not liable for any damage or injury caused by mishandling or improper installation.

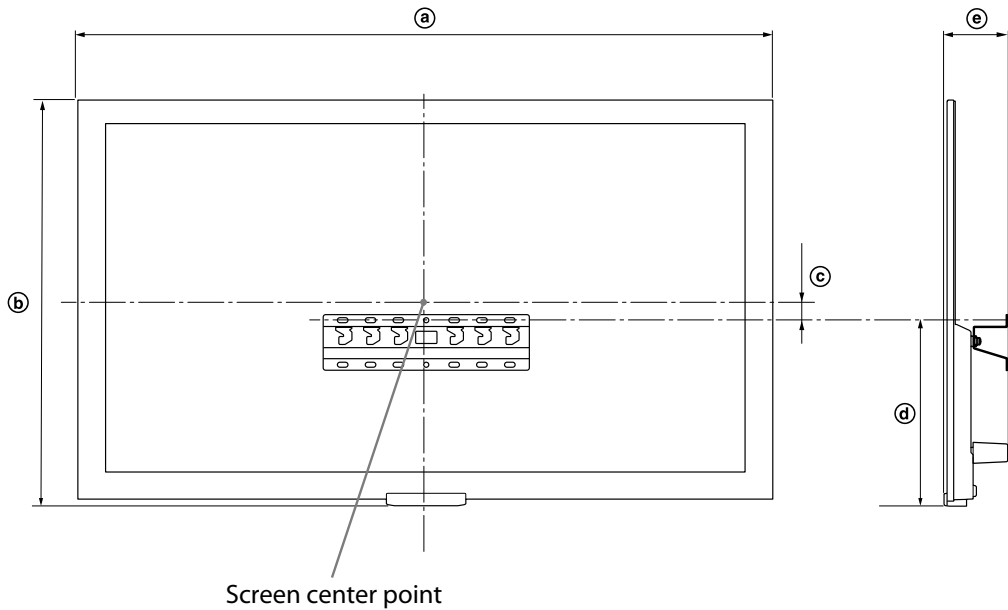
For proper installation, follow the Wall-Mount Bracket Operating Instructions, Installation Guide and the directions in this manual.

Before installing, refer to the Operating Instructions and Installation Guide supplied with Wall-Mount Bracket.

TV installation dimensions table

Dimension Table

■ For KDL-55W95□*A



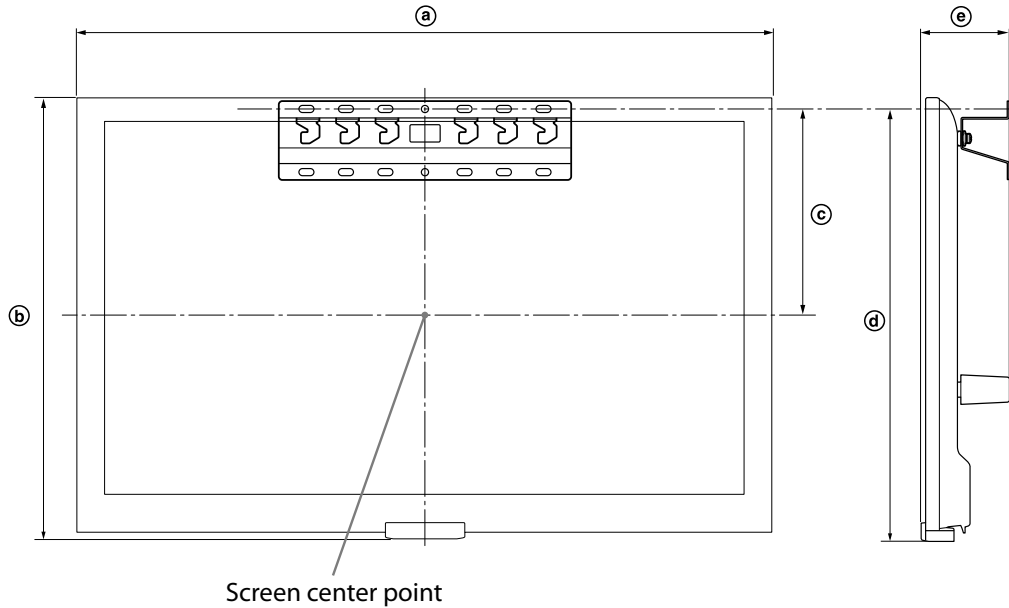
Unit: mm

Model Name	(a)	(b)	(c)	(d)	(e)
KDL-55W95□*A	1,250	729	38	334	112

Figures in the above table may differ slightly depending on the installation.
When your TV is installed on the wall, the upper side of the TV slightly leans forward.

* In the actual model names, the "□" indicates numbers and/or characters specific to each model.

■ For KDL-46W95□*A, KDL-55W80□*A, KDL-47W80□*A, KDL-42W80□*A, KDL-50W70□*A, KDL-46W70□*A



Unit: mm

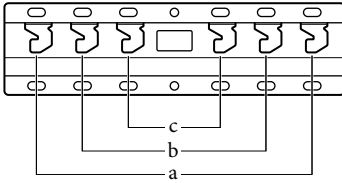
Model Name	a	b	c	d	e
KDL-46W95□*A	1,058	620	17	334	112
KDL-55W80□*A	1,253	735	150	526	116
KDL-47W80□*A	1,083	639	198	526	116
KDL-42W80□*A	971	577	230	526	116
KDL-50W70□*A	1,137	669	182	526	116
KDL-46W70□*A	1,059	626	204	526	116

Figures in the above table may differ slightly depending on the installation.
When your TV is installed on the wall, the upper side of the TV slightly leans forward.

* In the actual model names, the "□" indicates numbers and/or characters specific to each model.

Pulley Location

When installing the TV onto the Base Bracket.



Model Name	Pulley Location
KDL-55W80□*A KDL-47W80□*A KDL-42W80□*A KDL-50W70□*A KDL-46W70□*A	a
KDL-55W95□*A KDL-46W95□*A	b

* In the actual model names, the "□" indicates numbers and/or characters specific to each model.


Installing the TV onto the wall

Preparing for installation

When using an electric screwdriver, set the torque setting to approximately 1.5 N•m {15 kgf•cm}.

Preparing for the installation of the TV

1 Detach the Table-Top Stand from the TV.

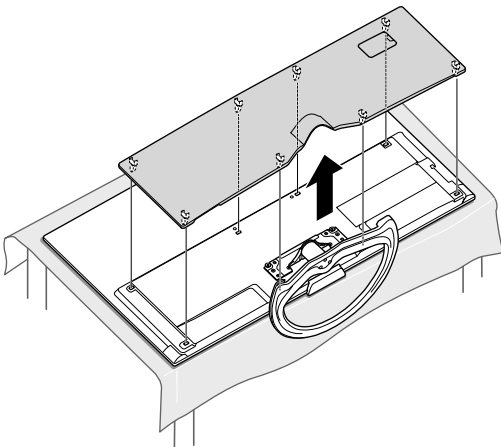
Remove the screws indicated by the arrow marks  on the TV.

CAUTION

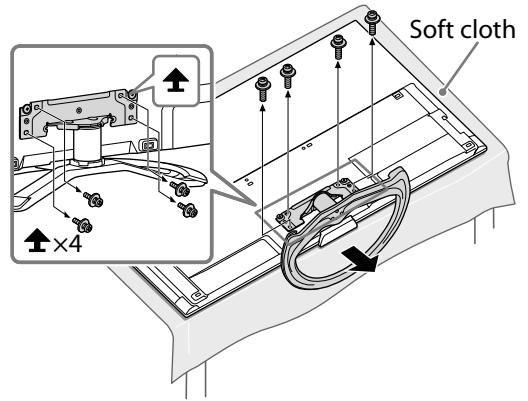
- If pressure or shock is applied to the surface of the TV, the TV may break or become damaged.
- Lay the TV face down on a stable and level surface with the Table-Top Stand hanging over the edge of the surface. Having the TV face and the base of the Table-Top Stand on the same level surface will create an unstable working condition and can damage the TV.
- When detaching the Table-Top Stand from the TV, hold the Table-Top Stand securely with both hands.

■ For KDL-55W95□*A, KDL-46W95□*A

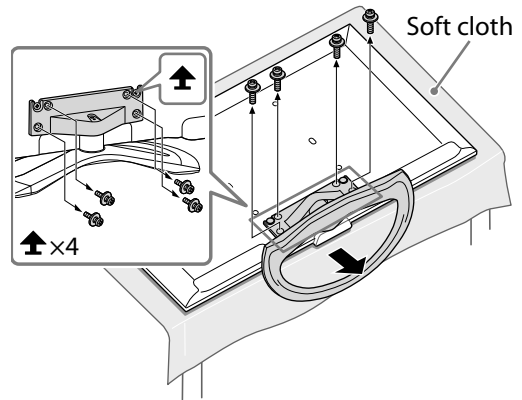
1 Detach the Rear Cover.



2 Detach the Table-Top Stand.



■ For KDL-55W80□*A, KDL-47W80□*A, KDL-42W80□*A, KDL-50W70□*A, KDL-46W70□*A



* In the actual model names, the "□" indicates numbers and/or characters specific to each model.

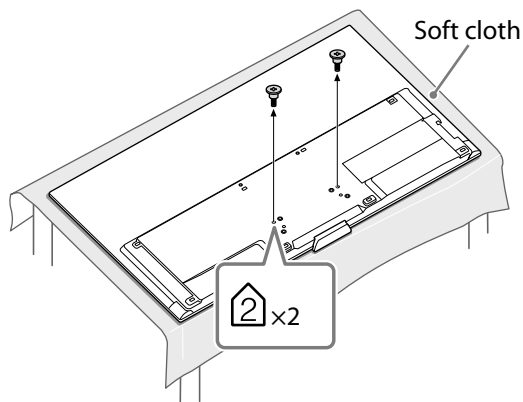
Note

- Make sure to place TV on the place where you put a soft cloth on to prevent damaging display's surface.
- When installing the Wall-Mount Bracket, do not use the screws removed from the Table-Top Stand.
- Be sure to store the removed Table-top Stand and its screws in a safe place, keeping them away from children. You will need them if you want to use the TV on a table in the future. The Table-Top Stand cannot be purchased separately.

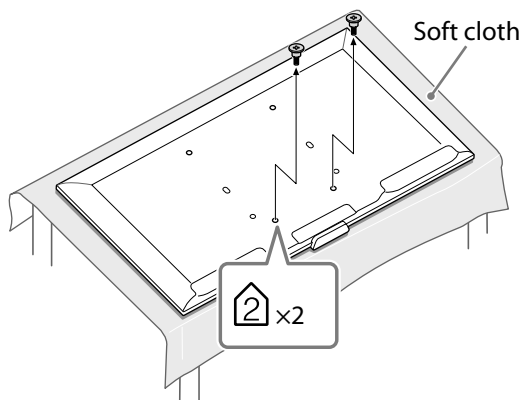
2 Remove the screws from the rear of the TV

Remove the screws from the rear of the TV.

■ For KDL-55W95□*A, KDL-46W95□*A



■ For KDL-55W80□*A, KDL-47W80□*A, KDL-42W80□*A, KDL-50W70□*A, KDL-46W70□*A

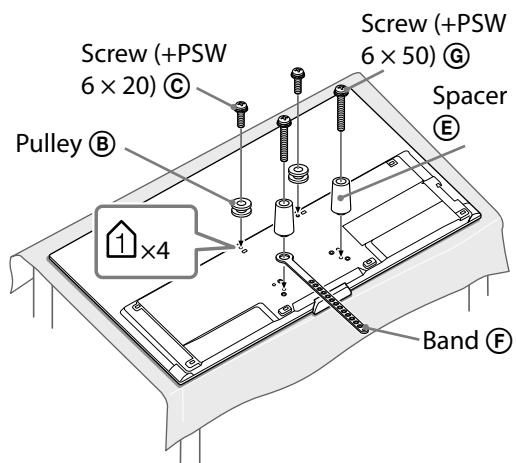


* In the actual model names, the "□" indicates numbers and/or characters specific to each model.

3 Attach the Pulleys and Spacers to the rear of the TV.

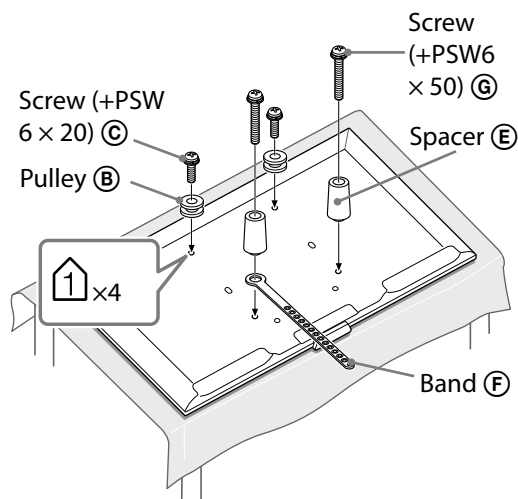
■ For KDL-55W95□*A, KDL-46W95□*A

- 1 Attach the Pulleys (B) with Screws (+PSW6 × 20) (C) to the upper rear of the TV.
- 2 Attach the Spacers (E) and the Band (F) with Screws (+PSW6 × 50) (G) to the lower rear of the TV.



■ For KDL-55W80□*A, KDL-47W80□*A, KDL-42W80□*A, KDL-50W70□*A, KDL-46W70□*A

- ① Attach the Pulleys (B) with Screws (+PSW6 × 20) (C) to the upper rear of the TV.
- ② Attach the Spacers (E) and the Band (F) with Screws (+PSW6 × 50) (G) to the lower rear of the TV.



* In the actual model names, the "□" indicates numbers and/or characters specific to each model.

Note

- Be sure to secure the screws firmly.

Tip

- For more details of (B), (C), (E), (F) and (G), refer to Installation Guide provided with the Wall-Mount Bracket (SU-WL400).
- Screw (+PSW4 × 20) (D), Bush (M4) (H) and Screw (+PSW4 × 50) (I) might not be used depending on model.
Be sure to store the unused parts in a safe place, keeping them away from children.

Installing the TV on the wall

After the procedure, refer to the Instructions and the Installation Guide provided with Wall-Mount Bracket (SU-WL400).