

## Additional Information for Using Sony Wall-Mount Bracket (SU-WL500)

Compatible TV models for this Wall-Mount Bracket information:

<b>KDL-32VL140</b>	<b>KDL-40V4100</b>	<b>KDL-40WL140</b>	<b>KDL-46W4100</b>	<b>KDL-52V4100</b>
<b>KDL-32XBR6</b>	<b>KDL-40V4150</b>	<b>KDL-42V4100</b>	<b>KDL-46W4150</b>	<b>KDL-52W4100</b>
<b>KDL-37XBR6</b>	<b>KDL-40W4100</b>	<b>KDL-46V4100</b>	<b>KDL-46WL140</b>	<b>KDL-52WL140</b>

**For product protection and safety reasons, Sony strongly recommends that you use the Wall-Mount Bracket model designed for your TV and that the wall-mounting of your TV is performed by Sony dealers or licensed contractors.**

To Customers

Please provide your licensed contractor with this installation supplement as well as the instructions (supplied with the SU-WL500 Wall-Mount Bracket). Read these documents carefully for safety and proper installation.

To Sony Dealers and Contractors

Provide full attention to safety during the installation, periodic maintenance and examination of this product.

Sufficient expertise is required in installing this product, especially to determine the strength of the wall for withstanding the TV's weight. Be sure to entrust the attachment of this product to the wall to Sony dealers or licensed contractors and pay adequate attention to safety during the installation. Sony is not liable for any damage or injury caused by mishandling or improper installation.

For proper installation, follow your wall-mount bracket instructions and the directions below.

## Step 1: Checking the parts required for the installation

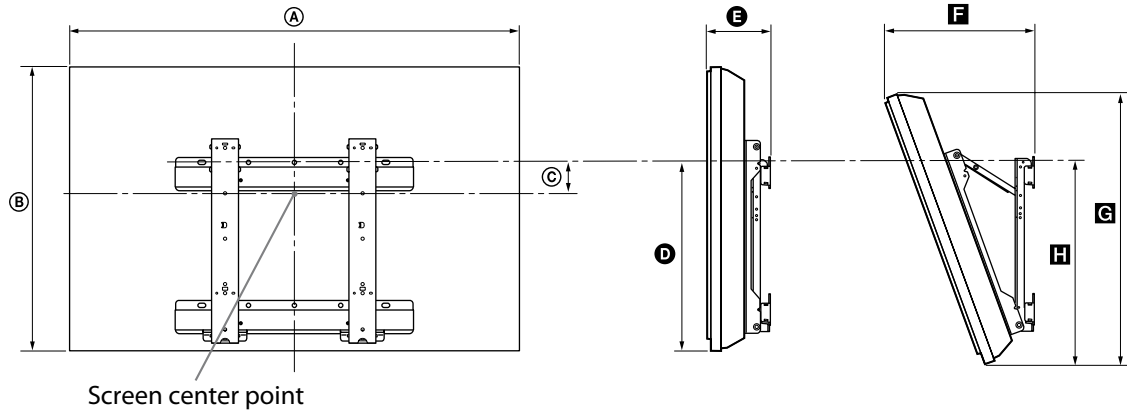
Open the Wall-Mount Bracket package and check the contents for all required parts along with the Instructions.

## Step 2: Deciding on the installation location

Decide where you want to install your TV. Refer to the TV installation dimensions table.

Refer to the Instructions for SU-WL500.

### Dimension Table



Unit: inches (mm)

Model Name	Display dimensions		Screen center dimensions	Length for each mounting angle				
				Angle (0°)		Angle (20°)		
	A	B	C	D	E	F	G	H
KDL-32VL140/ KDL-32XBR6	31 1/4 (794)	21 3/8 (540)	6 7/8 (172)	18 1/2 (470)	6 3/8 (159)	12 1/8 (306)	20 1/2 (518)	19 3/4 (499)
KDL-37XBR6	36 1/4 (920)	24 1/8 (610)	5 1/8 (129)	18 1/4 (463)	6 3/4 (170)	13 3/8 (338)	22 7/8 (580)	19 5/8 (496)
KDL-40V4100/ KDL-40V4150/ KDL-40W4100/ KDL-40WL140	38 7/8 (986)	25 1/2 (646)	4 7/8 (122)	18 3/4 (474)	6 3/4 (170)	13 7/8 (351)	24 1/4 (614)	20 (507)
KDL-42V4100	40 3/4 (1,033)	26 3/4 (677)	4 3/8 (109)	18 7/8 (478)	6 3/4 (170)	14 1/8 (357)	25 3/8 (643)	20 1/8 (510)
KDL-46V4100/ KDL-46W4100/ KDL-46W4150/ KDL-46WL140	44 1/8 (1,120)	29 1/4 (742)	3 3/8 (84)	19 1/4 (487)	7 (175)	15 1/8 (384)	27 3/4 (704)	20 5/8 (521)
KDL-52V4100/ KDL-52W4100/ KDL-52WL140	49 3/4 (1,262)	32 5/8 (829)	1 5/8 (39)	19 1/4 (487)	7 1/8 (179)	16 1/2 (417)	31 (786)	20 5/8 (522)

Figures in the above table may differ slightly depending on the installation.

### CAUTION

The wall that the TV will be installed on should be capable of supporting a weight of at least four times that of the TV. Refer to your TV's operating instructions for its weight.

## Step 3: Installing the Base Bracket on the wall

Refer to the Instructions for SU-WL500.

*Additional Information for Using Sony Wall-Mount Bracket (SU-WL500)*

## Step 4: Preparing the TV for wall mount installation

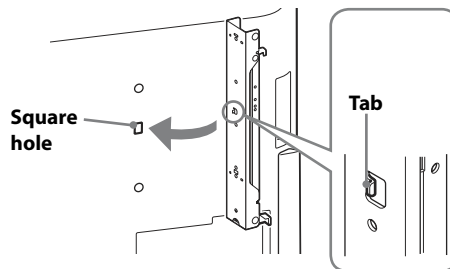
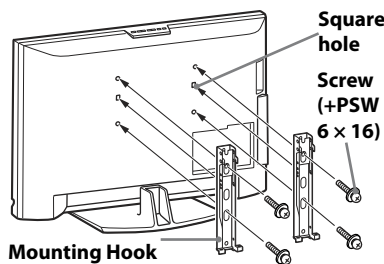
Follow the steps below to prepare for installing the TV.

### 1 Disconnect all the cables from the TV.

### 2 Secure the Mounting Hook to the rear of the TV.

Determine the screw locations and secure the Mounting Hooks to the rear of the TV. Refer to the “Screw and Hook Locations Diagram/Table” shown below.

- ① Secure the Mounting Hooks to the rear of the TV using only the supplied screws (+PSW6 × 16).
- ② Be sure to tighten the screws with equal torque strength.



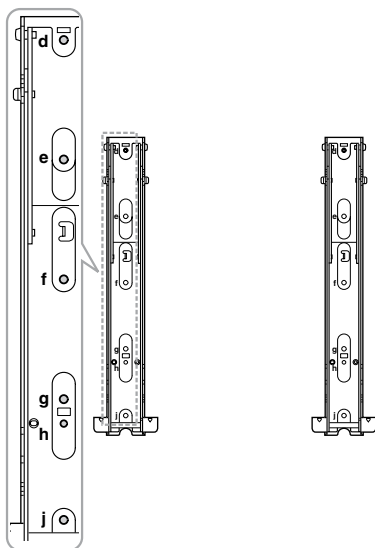
Align the tab on the rear of the Mounting Hook with the square hole on the rear of the TV as illustrated.

### Screw and Hook Locations Diagram/Table

Model Name	Screw Locations	Hook Location
KDL-32VL140/KDL-32XBR6	e, g	c
KDL-37XBR6 KDL-40V4100/KDL-40V4150/KDL-40W4100 KDL-40WL140/KDL-42V4100/KDL-46V4100 KDL-46W4100/KDL-46W4150/KDL-46WL140 KDL-52V4100/KDL-52W4100/KDL-52WL140	d, g	b

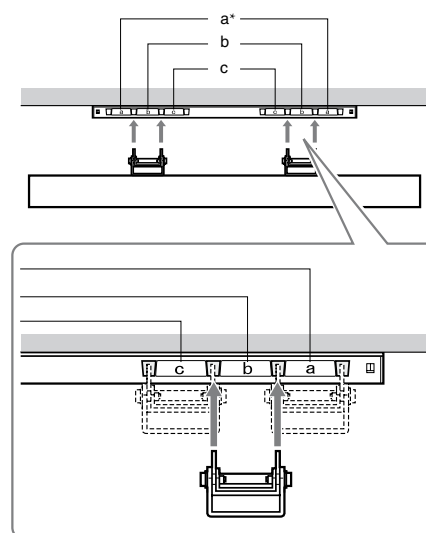
### Screw Location

When installing the Mounting Hook on the TV.



### Hook Location

When installing the TV onto the Base Bracket.



\* Hook position “a” cannot be used for the models in the table above.

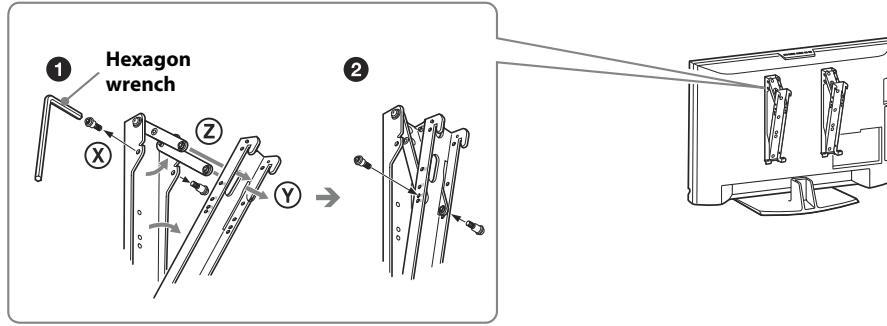
*Additional Information for Using Sony Wall-Mount Bracket (SU-WL500)*

3

### Adjust the angle of the Mounting Hook using the hexagon wrench supplied with the Wall-Mount Bracket.

When installing the TV parallel to the wall (0 degrees), adjustment of the Mounting Hook angle (procedures ① and ② below) is not necessary. Make sure that each arm base **X** is screwed in securely.

- ① Remove the two screws from the arm base **X** of the Mounting Hook. Choose the holes corresponding to the desired angle (5, 10, 15 or 20 degrees).
- ② Adjust the angles of the top **Y** and bottom **Z** arm to fit the corresponding hole, and firmly secure each arm using the two screws removed in the previous procedure ①.



- Be sure to adjust the right and left arms to the same angle.
- Make sure that the two arm bases are screwed in securely.

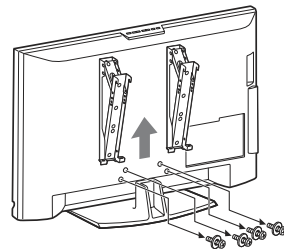
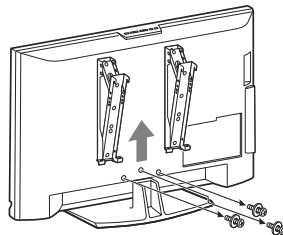
#### **CAUTION**

Be careful not to pinch your fingers when adjusting the angle of the Mounting Hook.

4

### Remove the screws from the back of the TV.

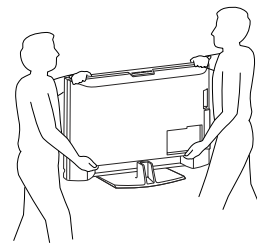
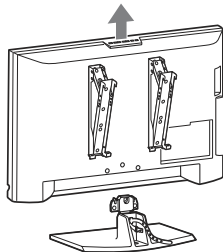
Do not remove any other screws from the TV.



5

### Lift the TV off the stand. Make sure that you carry out this task with at least two or three people.

Do not attempt to lift the TV by yourself.



## Step 5: Installing the TV on the wall

Refer to the Instructions for SU-WL500.



- When you put the TV back on the stand, reverse the above steps.
- When moving the TV, do not squeeze the bottom of the front panel too strongly.
- Remove the screws or install the Mounting Hook on a stable and level surface.

*Additional Information for Using Sony Wall-Mount Bracket (SU-WL500)*